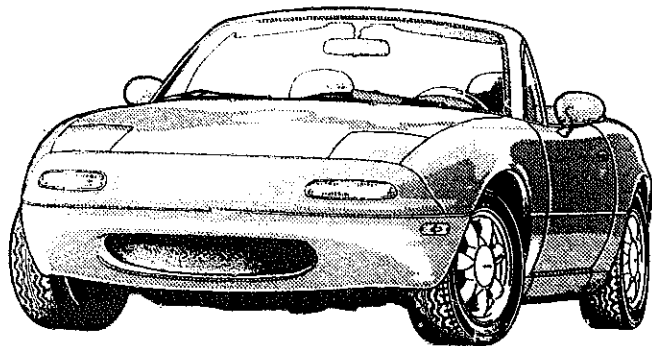


Parts Catalog

Mazda MX-5 MIATA
U.S.A.
'91▶'92



NA35** -200001-350000

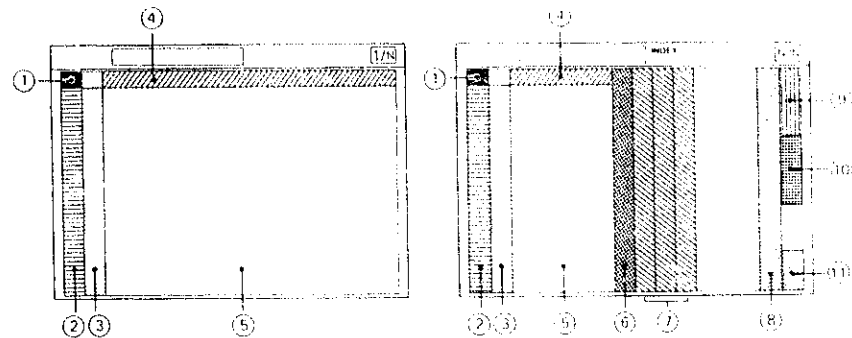
Jan. '94 (FINAL)
Catalog No. AU-NA02-07

mazda
© 1994 Mazda Motor Corporation

3-B 1

LAYOUT OF CONTENTS / DISPOSITION TYPOGRAPHIQUE DE CONTENU / DISPOSICION DEL CONTENIDO / ANORDNUNG DES INHALTS

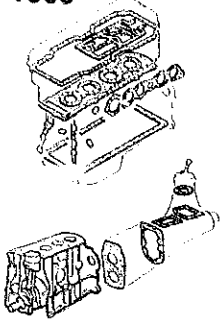
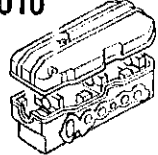

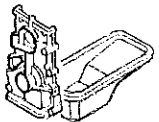
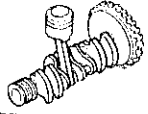
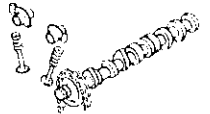
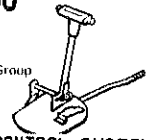
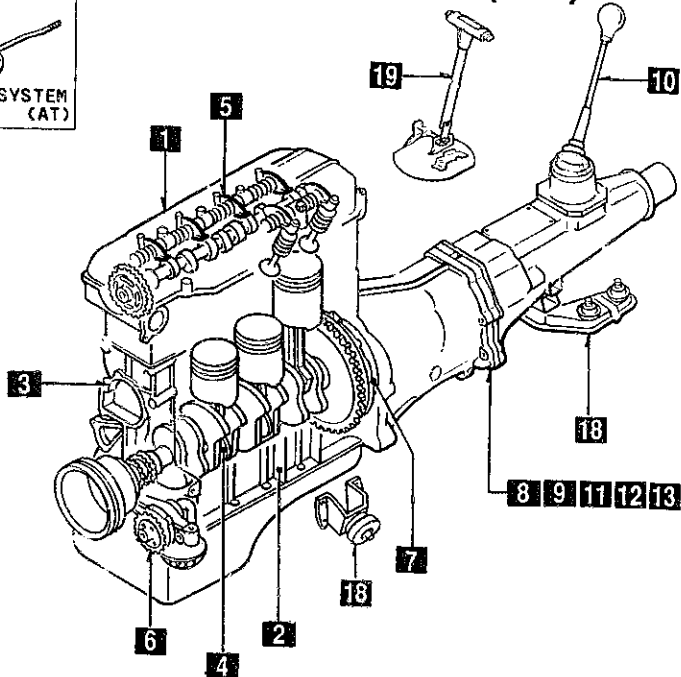
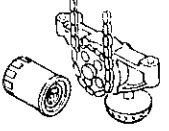
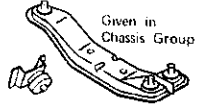
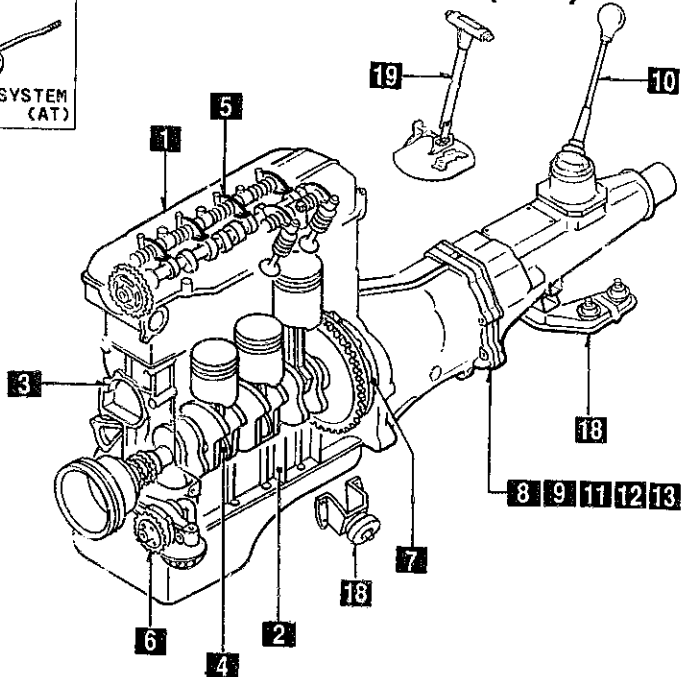
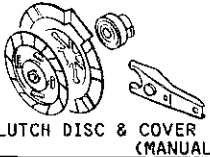
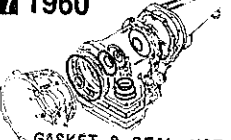
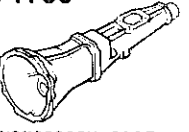


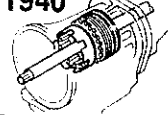
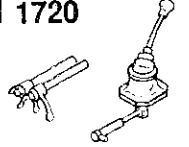
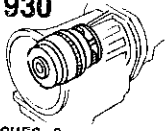

- The following is a typical example of the layout of contents on Mazda microfiche parts catalog.
- Voici un exemple typique de la disposition typographique de contenu dans les microfiches de catalogue des pièces de Mazda.
- El siguiente es un ejemplo típico de la disposición del contenido en una microficha del catálogo de repuestos de Mazda.
- Folgendes ist ein typisches Beispiel der Inhaltsanordnung des Mazda-Mikrofiche-Teilekataloges.



Remark : The items listed under ④ have been deleted from each fiche since Dec. '93



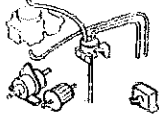

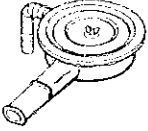
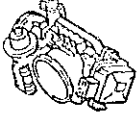
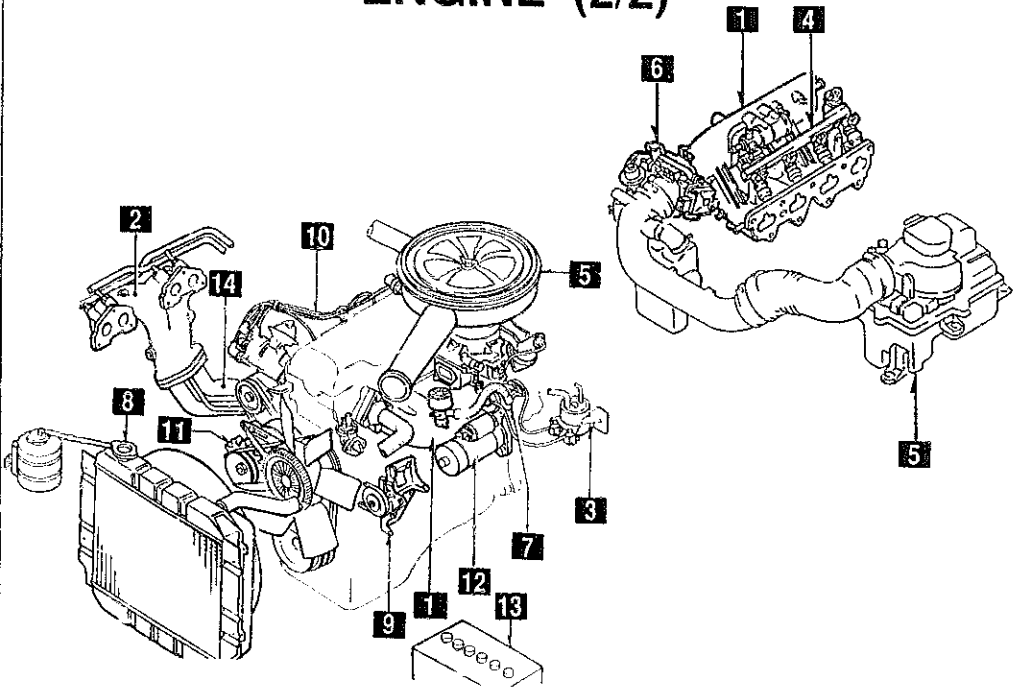
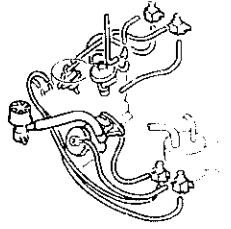
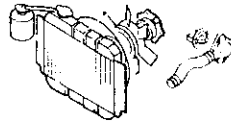
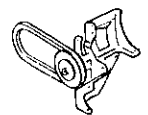
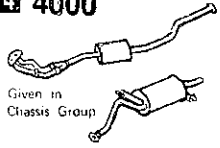
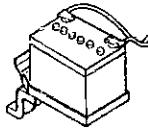
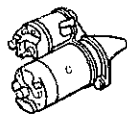
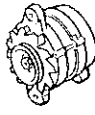
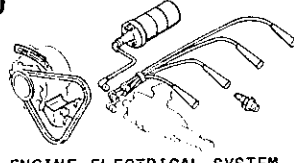
- | | | |
|--|---|---|
| ① • Layout of contents
• Disposition Typographique de Contenu
• Disposición del contenido
• Anordnung des Inhalts | ② • Pictorial Index
• Index par Schémas
• Índice Gráfico
• Illustrierter Index | ③ • Master Section No. Index
• Index des Numéros des Sections Totale
• Índice del Número de la Sección Maestra
• Hauptabschnittsnummer-Index |
| ④ • Section No. Index for the Column
• Index des Numéros des Sections pour les Colonnes
• N° de la Sección para el Índice
• Abschnittsnummer-Index für die Spalte | ⑤ • Illustration & Text
• Illustrations et Textes
• Ilustración y Texto
• Abbildung und Text | ⑥ • Part No. Index
• Index des Numéros des Pièces
• Índice del N° de Pieza
• Teile-Nr.-Index |
| ⑦ • Alphabetical Index
• Index Alphabétique
• Índice Alfabético
• Alphabetischer Index | ⑧ • Model Identification
• Identification des Modèles
• Identificación del Modelo
• Modell-Kennzeichnung | ⑨ • Vehicle Identification System
• Système d'Identification de Véhicule
• Sistema de Identificación de Vehículo
• Fahrzeug-Identifikations-system |

PICTORIAL INDEX

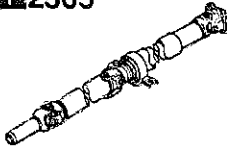
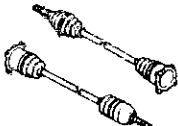
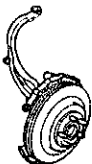

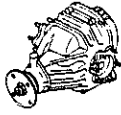


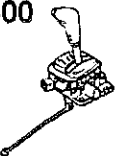
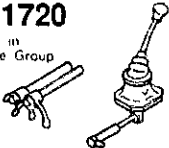
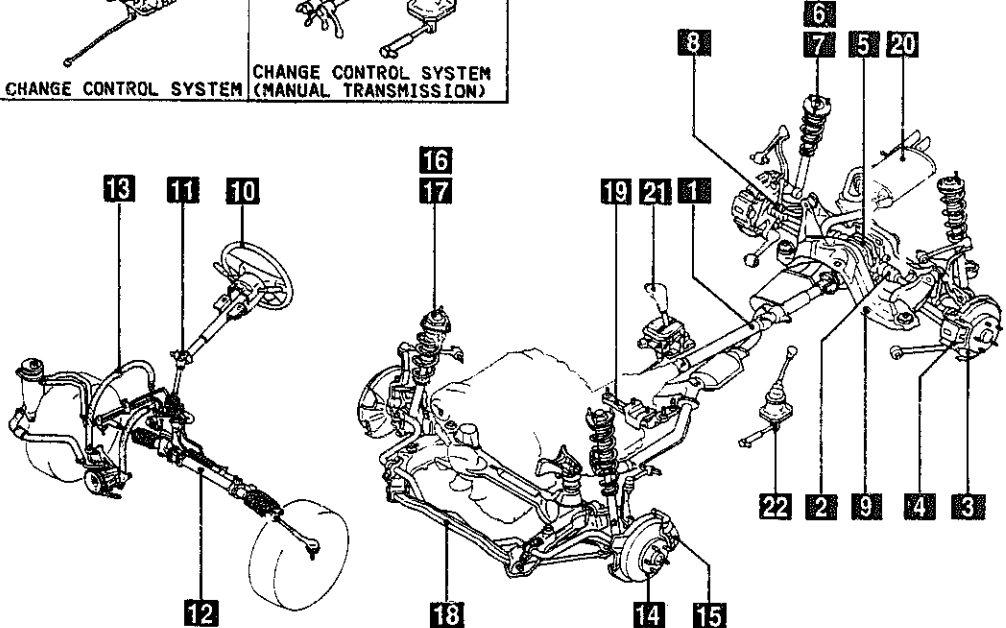
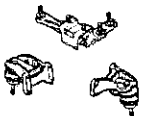

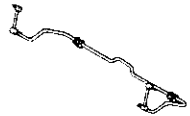
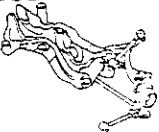
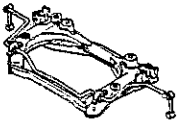

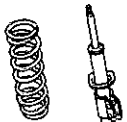
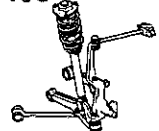


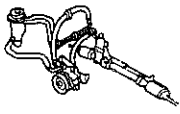
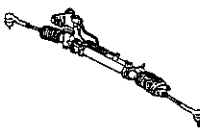
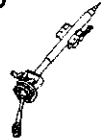
<p>1000</p>  <p>SHORT ENGINE & GASKET SETS</p>	<p>1 1010</p>  <p>CYLINDER HEAD & COVER</p>	<p>2 1030</p>  <p>CYLINDER BLOCK</p>	<p>3 1040</p>  <p>OIL PAN & TIMING COVER</p>	<p>4 1100</p>  <p>PISTON, CRANKSHAFT & FLYWHEEL</p>	<p>5 1200</p>  <p>VALVE SYSTEM</p>
<p>19 4600</p>  <p>Given in Chassis Group</p> <p>CHANGE CONTROL SYSTEM (AT)</p>	<p>ENGINE (1/2)</p> 				<p>6 1400</p>  <p>OIL PUMP & FILTER</p>
<p>19 3900</p>  <p>Given in Chassis Group</p> <p>ENGINE & T/MISSION MOUNTINGS</p>	<p>ENGINE (1/2)</p> 				<p>7 1600</p>  <p>CLUTCH DISC & COVER (MANUAL)</p>
<p>17 1960</p>  <p>GASKET & SEAL KIT (AUTOMATIC)</p>					<p>8 1700</p>  <p>TRANSMISSION CASE (MANUAL)</p>
<p>16 1950</p>  <p>MANUAL LINKAGE SYSTEM (AUTOMATIC)</p>					<p>9 1710</p>  <p>TRANSMISSION GEARS (MANUAL)</p>
<p>15 1940</p>  <p>GOVERNOR, LOW & REVERSE PISTON (AUTOMATIC)</p>					<p>10 1720</p>  <p>CHANGE CONTROL SYSTEM (MANUAL)</p>
<p>14 1930</p>  <p>CLUTCHES & PLANETARY GEARS (AUTOMATIC)</p>					<p>13 1925</p>  <p>CONTROL VALVE (AUTOMATIC)</p>

As this illustration is prepared to be applicable to all models, some parts are different in specifications from the parts listed in this part: Catalog.



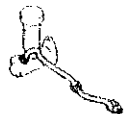

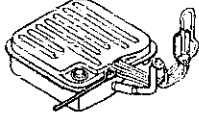
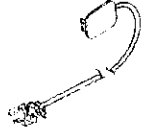
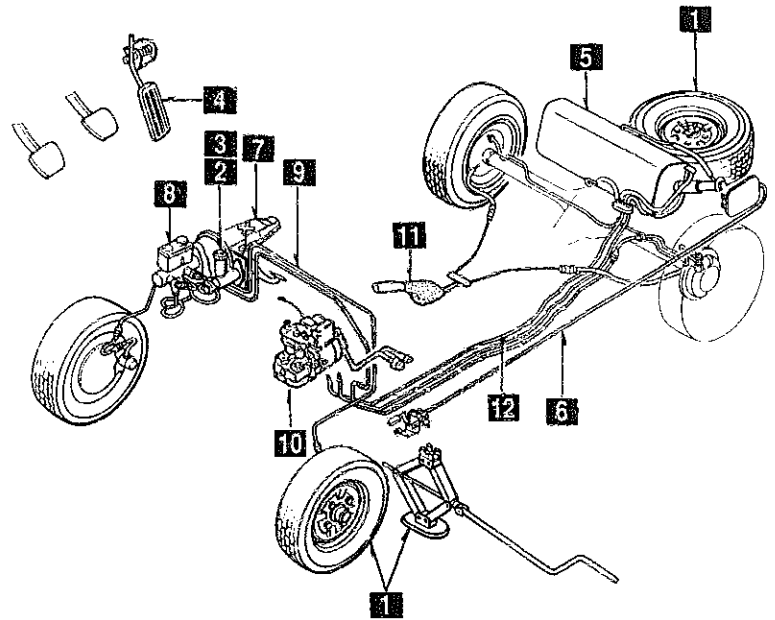
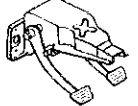
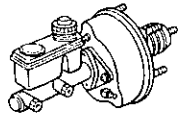
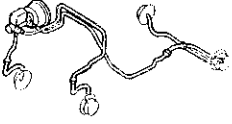
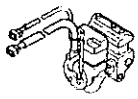
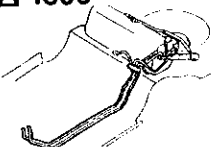

PICTORIAL INDEX

1 1300  INLET MANIFOLD	2 1310  EXHAUST MANIFOLD	3 1320  FUEL SYSTEM	4 1325  FUEL DISTRIBUTOR	5 1330  AIR CLEANER	6 1364  THROTTLE BODY
<h3 style="margin: 0;">ENGINE (2/2)</h3> 					
<small>As this illustration is prepared to be applicable to all models, some parts are different in specifications from the parts listed in this parts Catalog.</small>					
7 1370  EMISSION CONTROL SYSTEM (INLET SIDE)					
8 1500  COOLING SYSTEM					
9 1580  BRACKET, PULLEY & BELT					
14 4000  Given in Chassis Group EXHAUST SYSTEM	13 1850  BATTERY	12 1840  STARTER	11 1830  ALTERNATOR	10 1800  ENGINE ELECTRICAL SYSTEM	

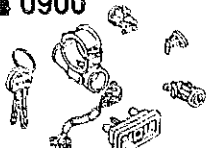

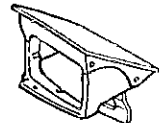
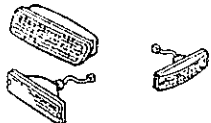
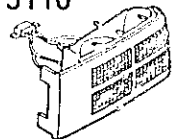
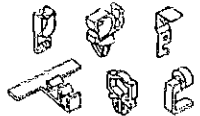
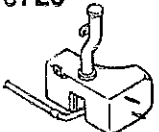
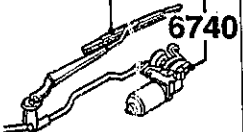
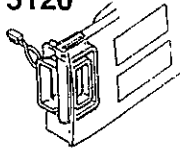

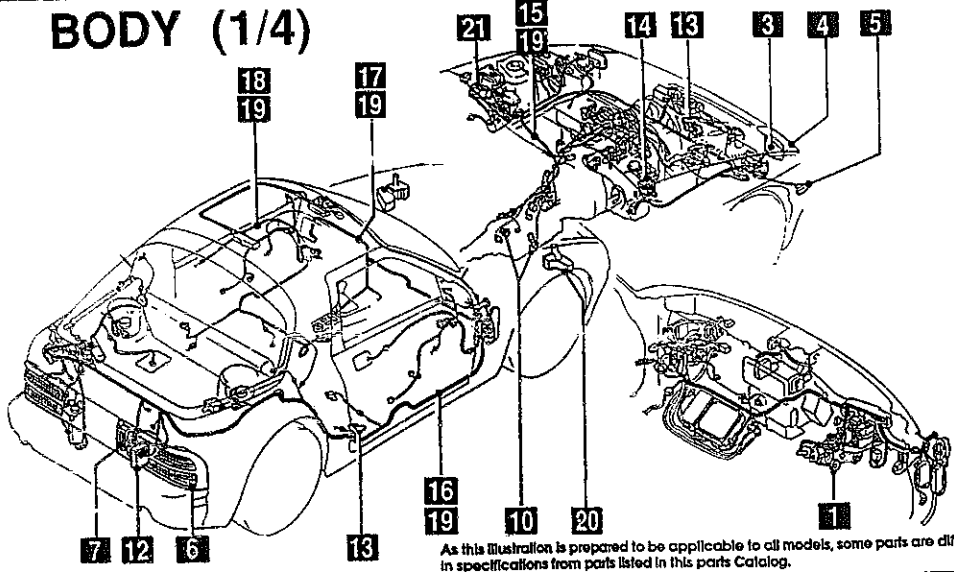


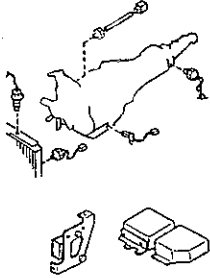

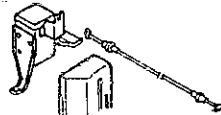
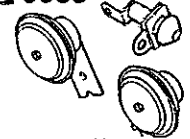
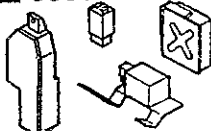
PICTORIAL INDEX

<p>1 2505</p>  <p>REAR PROPELLER SHAFT</p>	<p>2 2550</p>  <p>REAR DRIVE SHAFT</p>	<p>3 2600</p>  <p>REAR AXLE</p>	<p>4 2610</p>  <p>REAR BRAKE MECHANISMS</p>	<p>5 2710</p>  <p>REAR DIFFERENTIALS</p>	<p>6 2800</p>  <p>REAR SUSPENSION MECHANISMS</p>
<p>20 4000</p>  <p>EXHAUST SYSTEM</p>	<p>21 4600</p>  <p>CHANGE CONTROL SYSTEM</p>	<p>22 1720 Given in Engine Group</p>  <p>CHANGE CONTROL SYSTEM (MANUAL TRANSMISSION)</p>		<h2 style="margin: 0;">CHASSIS (1/2)</h2>  <p style="font-size: small; text-align: center;">As this illustration is prepared to be applicable to all models, some parts are different in specifications from parts listed in this parts Catalog.</p>	
<p>19 3900</p>  <p>ENGINE & T/MISSION MOUNTINGS</p>			<p>7 2801</p>  <p>REAR SPRING & DAMPER</p>	<p>8 2810</p>  <p>REAR STABILIZER</p>	<p>9 2830</p>  <p>REAR LOWER ARMS & SUB FRAME</p>
<p>18 3410</p>  <p>CROSSMEMBER & STABILIZER</p>			<p>10 3200</p>  <p>STEERING WHEEL</p>		
<p>17 3401</p>  <p>FRONT SPRING & DAMPER</p>			<p>16 3400</p>  <p>FRONT SUSPENSION MECHANISMS</p>	<p>15 3310</p>  <p>FRONT BRAKE MECHANISMS</p>	<p>14 3300</p>  <p>FRONT AXLE</p>
		<p>13 3240</p>  <p>POWER STEERING SYSTEM (FRONT)</p>	<p>12 3220</p>  <p>STEERING GEAR</p>		
				<p>11 3210</p>  <p>STEERING COLUMN & SHAFTS</p>	

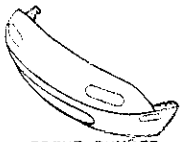





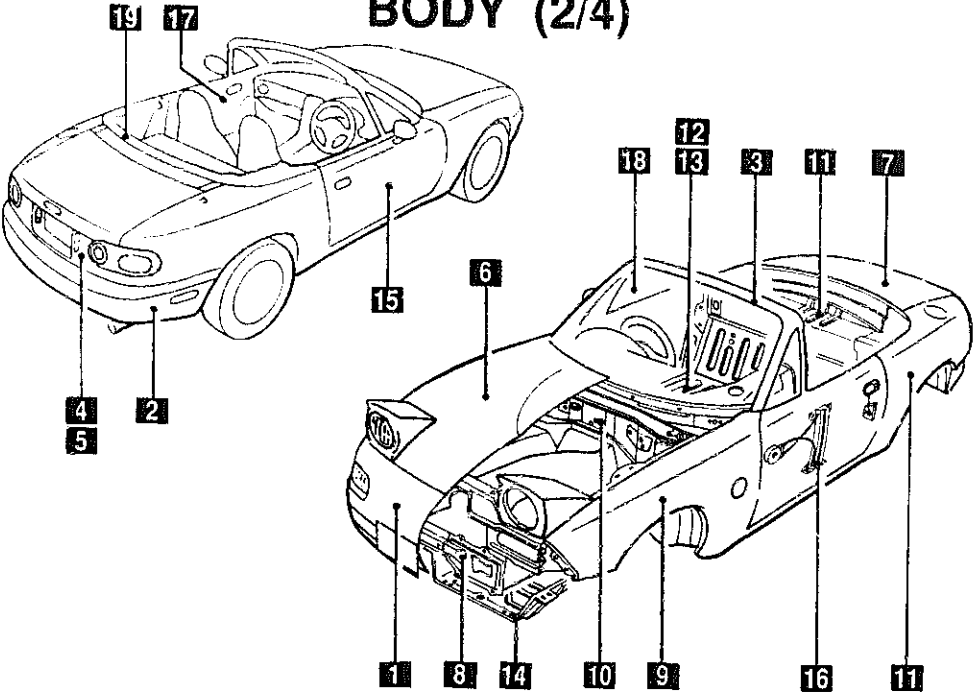




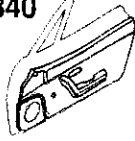
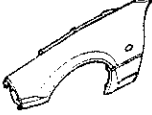
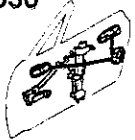
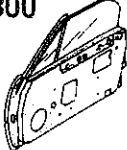
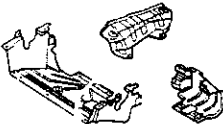
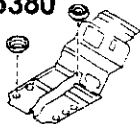
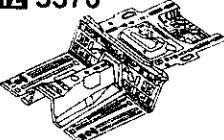
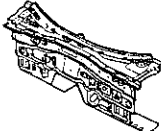
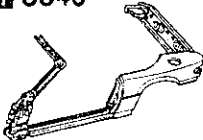
PICTORIAL INDEX

1 3700  TIRES & JACK	2 4140  CLUTCH RELEASE & MASTER CYLINDERS	3 4145  CLUTCH PIPINGS	4 4160  ACCELERATOR CONTROL SYSTEM	5 4200  FUEL TANK	6 4210  FUEL LID OPENER
<h3 style="margin: 0;">CHASSIS (2/2)</h3> 					
<small>As this illustration is prepared to be applicable to all models, some parts are different in specifications from parts listed in this parts Catalog.</small>					
				7 4300  CLUTCH & BRAKE PEDALS	8 4340  BRAKE MASTER CYLINDER & POWER BRAKE
					9 4360  BRAKE PIPINGS
					10 4370  ANTILOCK BRAKE SYSTEM
				12 4500  FUEL PIPINGS	11 4400  PARKING BRAKE SYSTEM

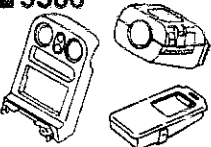


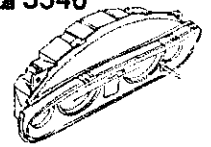
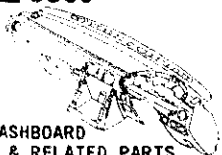
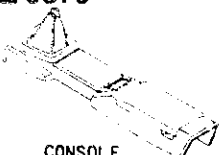
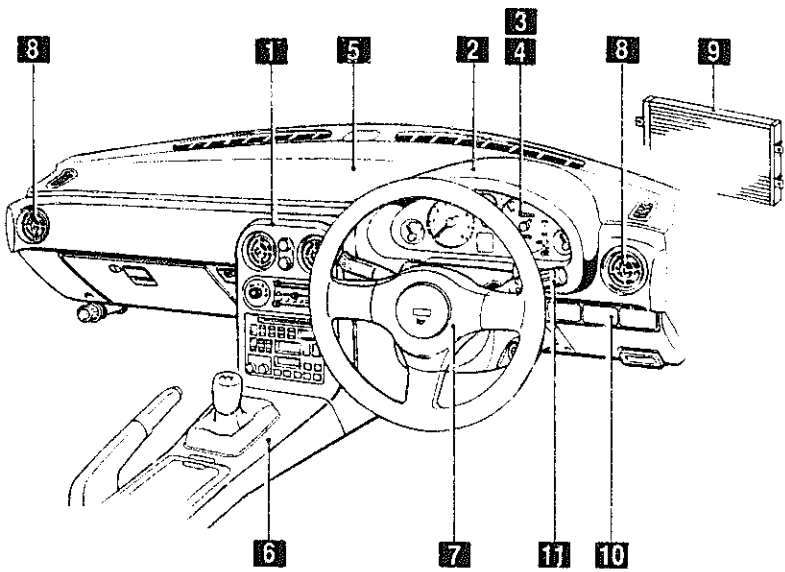

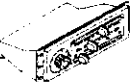



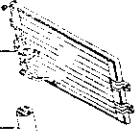


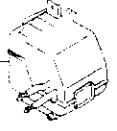
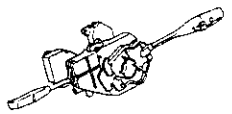
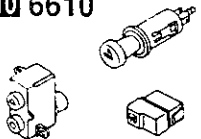
PICTORIAL INDEX

<p>1 0900</p>  <p>KEY SETS</p>	<p>2</p>	<p>3 5100</p>  <p>HEAD LAMPS</p>	<p>4 5103</p>  <p>HEAD LAMP RETRACTORS</p>	<p>5 5105</p>  <p>FRONT COMBINATION LAMPS</p>	<p>6 5110</p>  <p>REAR COMBINATION LAMPS</p>
<p>19 6704</p>  <p>WIRING HARNESS CLAMPS</p>	<p>20 6720</p>  <p>WINDSHIELD WASHER</p>	<p>21 6730</p>  <p>WINDSHIELD WIPERS</p>			<p>7 5120</p>  <p>LICENSE LAMPS</p>
<p>18 6703</p>  <p>WIRING HARNESSSES (DOOR, FLOOR/CEILING)</p>	<p>BODY (1/4)</p>  <p style="font-size: small; text-align: center;">As this illustration is prepared to be applicable to all models, some parts are different in specifications from parts listed in this parts Catalog.</p>				<p>8</p>
<p>17 6702</p>  <p>WIRING HARNESSSES (DASHBOARD)</p>					<p>9</p>
<p>16 6700</p>  <p>WIRING HARNESSSES (FRONT & REAR)</p>					<p>10 6600</p>  <p>SWITCHES & RELAYS (ENGINE)</p>
<p>15 6701</p>  <p>WIRING HARNESSSES (ENGINE & T/MISSION)</p>	<p>14 6640</p>  <p>AUTO CRUISE CONTROL SYSTEM</p>	<p>13 6635</p>  <p>DOOR SWITCH & HORNS</p>	<p>12 6630</p>  <p>RELAYS & UNIT (BODY)</p>	<p>11</p>	

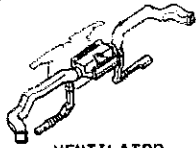

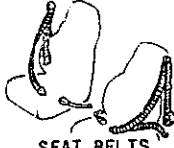
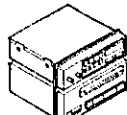
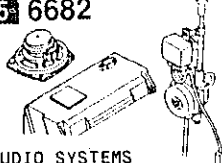
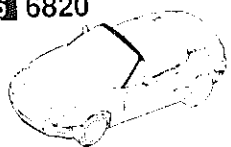
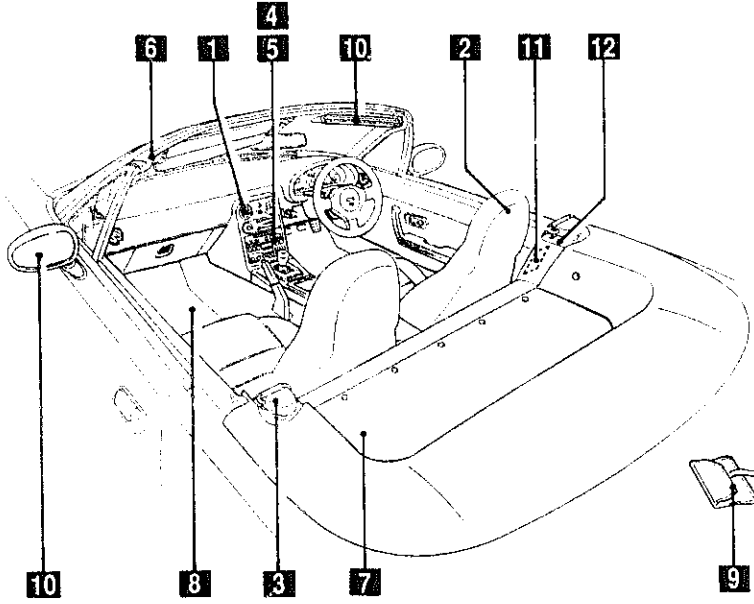

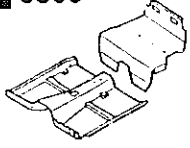




PICTORIAL INDEX

<p>1 5000</p>  <p>FRONT BUMPER</p>	<p>2 5010</p>  <p>REAR BUMPER</p>	<p>3 5030</p>  <p>WINDOW MOULDING & COWL GRILLES</p>	<p>4 5170</p>  <p>ORNAMENTS</p>	<p>5 5180</p>  <p>REAR FINISHER</p>	<p>6 5230</p>  <p>BONNET</p>
<p>BODY (2/4)</p> 					
<p>19 6330</p>  <p>SUNROOF</p>					<p>7 5260</p>  <p>TRUNK LID</p>
<p>18 6300</p>  <p>WINDOW GLASSES</p>					<p>8 5310</p>  <p>FRONT PANELS</p>
<p>17 5840</p>  <p>FRONT DOOR TRIMS & RELATED PARTS</p>					<p>9 5320</p>  <p>FENDER & WHEEL APRON PANELS</p>
<p>16 5830</p>  <p>FRONT DOOR MECHANISMS</p>	<p>15 5800</p>  <p>FRONT DOORS</p>	<p>14 5390</p>  <p>FLOOR ATTACHMENTS</p>	<p>13 5380</p>  <p>FLOOR ATTACHMENTS (HOLE COVERS)</p>	<p>12 5370</p>  <p>FLOOR PANELS</p>	<p>10 5330</p>  <p>DASH & COWL PANELS</p>
					<p>11 5340</p>  <p>SIDE PANELS</p>

PICTORIAL INDEX

<p>1 5500</p>  <p>DASHBOARD EQUIPMENTS</p>	<p>2 5520</p>  <p>METER HOOD</p>	<p>3 5530</p>  <p>SPEEDOMETER CABLE</p>	<p>4 5540</p>  <p>METER COMPONENTS</p>	<p>5 5560</p>  <p>DASHBOARD & RELATED PARTS</p>	<p>6 5570</p>  <p>CONSOLE</p>
<h3 style="margin: 0;">BODY (3/4)</h3> 					
<p>7 5795</p>  <p>AIR BAG</p>					
<p>8</p> <p>6115 </p> <p>6110 </p> <p>6100 </p> <p>6120 </p> <p>HEATER</p>					
<p>9</p> <p>6130 </p> <p>6135 </p> <p>6140 </p> <p>6150 </p> <p>AIR CONDITIONER</p>					
<p>11 6611</p>  <p>COMBINATION SWITCH</p>			<p>10 6610</p>  <p>DASHBOARD SWITCHES</p>		

PICTORIAL INDEX

1 5580  VENTILATOR	2 5700  SEATS	3 5790  SEAT BELTS	4 6680  AUDIO SYSTEMS (RADIO & TAPE DECK)	5 6682  AUDIO SYSTEMS (ANTENNA & SPEAKER)	6 6820  FRONT HEADER TRIM & PILLAR TRIMS
<h3 style="margin: 0;">BODY (4/4)</h3>  <p style="text-align: center; font-size: small; margin-top: 10px;">As this illustration is prepared to be applicable to all models, some parts are different in specifications from parts listed in this parts Catalog.</p>					
					7 6840  TRIMS & SCUFF PLATES
					8 6860  FLOOR MATS & PADS
					9 6870  SERVICE TOOLS
					10 6900  VISORS, ASSIST HANDLES & MIRRORS
				12 7250  QUARTER WINDOW & TRIMS	11 6930  CAUTION PLATES & LABELS

SECTION NAME INDEX (ENGINE)

LO.NO	SEC.NO	SECTION NAME	LO.NO	SEC.NO	SECTION NAME	LO.NO	SEC.NO	SECTION NAME
1-C03	1000	ENGINE & GASKET SETS						
1-D03	1010	CYLINDER HEAD & COVER						
1-G03	1030	CYLINDER BLOCK						
1-I03	1040	OIL PAN & TIMING COVER						
1-K03	1100	PISTON, CRANKSHAFT & FLYWHEEL						
1-N03	1200	VALVE SYSTEM						
1-O04	1300	INLET MANIFOLD						
1-E04	1310	EXHAUST MANIFOLD						
1-F04	1320	FUEL SYSTEM						
1-H04	1325	FUEL DISTRIBUTOR						
1-I04	1330	AIR CLEANER						
1-K04	1364	THROTTLE BODY						
1-L04	137J	EMISSION CONTROL SYSTEM (INLET SIDE)						
1-M04	1400	OIL PUMP & FILTER						
1-C05	1500	COOLING SYSTEM						
1-G05	1580	BRACKET, PULLEY & BELT						
1-C06	1600	CLUTCH DISC & COVER (MANUAL)						
1-D06	1700	TRANSMISSION CASE (MANUAL)						
1-E06	1710	TRANSMISSION GEARS (MANUAL)						
1-K06	1720	CHANGE CONTROL SYSTEM (MANUAL)						
1-N06	1800	ENGINE ELECTRICAL SYSTEM						
1-D07	1830	ALTERNATOR						
1-G07	1840	STARTER						
1-I07	1850	BATTERY						
1-J07	1910	TORQUE CONVERTER, OIL PUMP & PIPINGS (AUTOMATIC)						
1-M07	1920	TRANSMISSION CASE & MAIN CONTROL SYSTEM (AUTOMATIC)						
1-G08	1925	CONTROL VALVE (AUTOMATIC)						
1-K08	1930	CLUTCHES & PLANETARY GEARS (AUTOMATIC)						
1-F09	1940	GOVERNOR, LOW & REVERSE PISTON (AUTOMATIC)						
1-I09	1950	MANUAL LINKAGE SYSTEM (AUTOMATIC)						
1-K09	1960	GASKET & SEAL KIT (AUTOMATIC)						

CATLOG-NG= AUNA02-07

DATE. 1993-12

PAGE. 1

3-B 2

SECTION NAME INDEX (CHASSIS)

LO.NO	SEC.NO	SECTION NAME	LO.NO	SEC.NO	SECTION NAME	LO.NO	SEC.NO	SECTION NAME
1-C11	2505	REAR PROPELLER SHAFT	1-H16	4360	BRAKE PIPINGS			
1-D11	2550	REAR DRIVE SHAFT	1-L16	4370	ANTILOCK BRAKE SYSTEM			
1-E11	2600	REAR AXLE	2-C03	4400	PARKING BRAKE SYSTEM			
1-G11	2610	REAR BRAKE MECHANISMS	2-E03	4500	FUEL PIPINGS			
1-I11	2710	REAR DIFFERENTIALS (NORMAL DIFF.)	2-G03	4600	CHANGE CONTROL SYSTEM (AT)			
1-N11	2710 A	REAR DIFFERENTIALS (LIMITED SLIP DIFF.)						
1-G12	2800	REAR SUSPENSION MECHANISMS						
1-H12	2801	REAR SPRING & DAMPER						
1-I12	2810	REAR STABILIZER						
1-J12	2830	REAR LOWER ARMS & SUB FRAME						
1-L12	3200	STEERING WHEEL						
1-M12	3210	STEERING COLUMN & SHAFTS						
1-N12	3220	STEERING GEAR (W/O POWER STEERING)						
1-D13	3220 A	STEERING GEAR (W/ POWER STEERING)						
1-G13	3240	POWER STEERING SYSTEM						
1-I13	3300	FRONT AXLE						
1-J13	3310	FRONT BRAKE MECHANISMS						
1-L13	3400	FRONT SUSPENSION MECHANISMS						
1-N13	3401	FRONT SPRING & DAMPER						
1-C14	3410	CROSSMEMBER & STABILIZER						
1-D14	3700	TIRES & JACK						
1-C15	3900	ENGINE & T/MISSION MOUNTINGS						
1-D15	4000	EXHAUST SYSTEM						
1-F15	4140	CLUTCH RELEASE & MASTER CYLINDERS (MANUAL TRANSMISSION)						
1-G15	4145	CLUTCH PIPINGS (MANUAL TRANSMISSION)						
1-H15	4160	ACCELERATOR CONTROL SYSTEM						
1-I15	4200	FUEL TANK						
1-L15	4210	FUEL LID OPENER						
1-M15	4300	CLUTCH & BRAKE PEDALS (MANUAL TRANSMISSION)						
1-D16	4300A	BRAKE PEDALS (AUTOMATIC TRANSMISSION)						
1-F16	4340	BRAKE MASTER CYLINDER & POWER BRAKE						

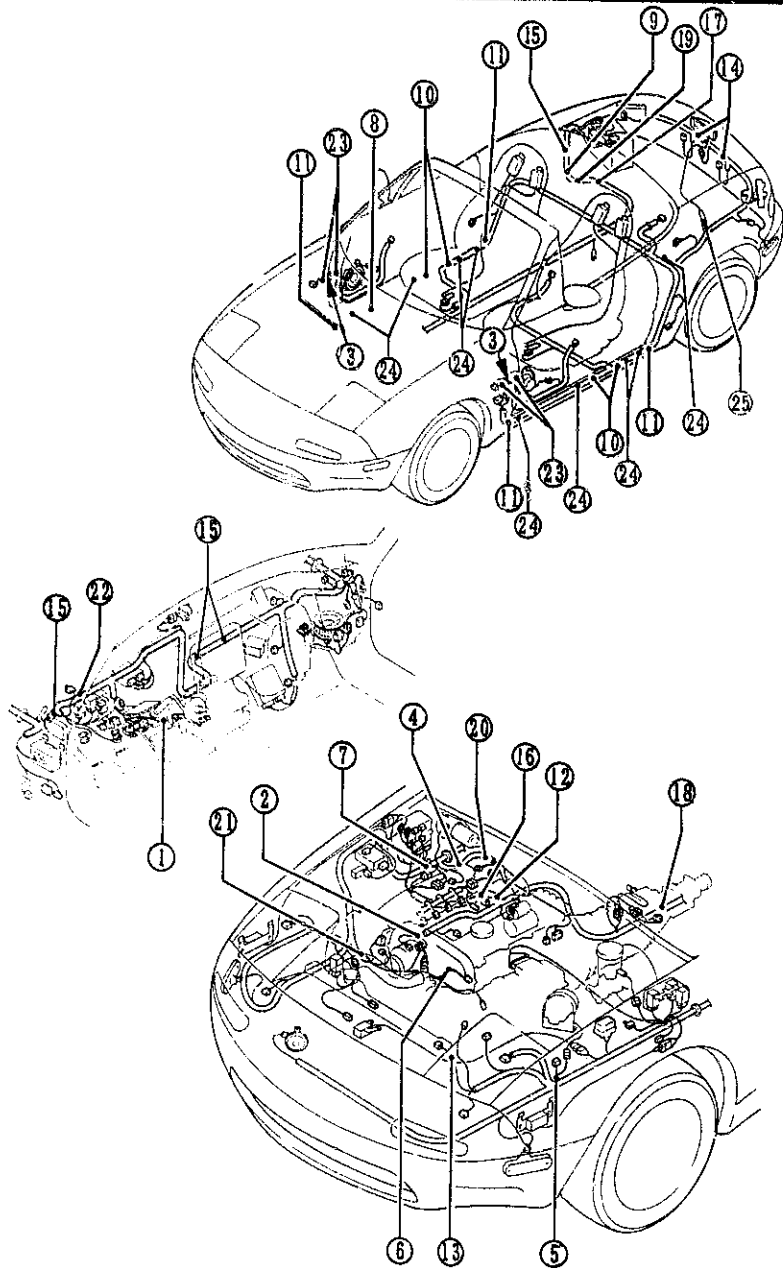
CATLOG-NO= AUNA02-07

DATE. 1993-12

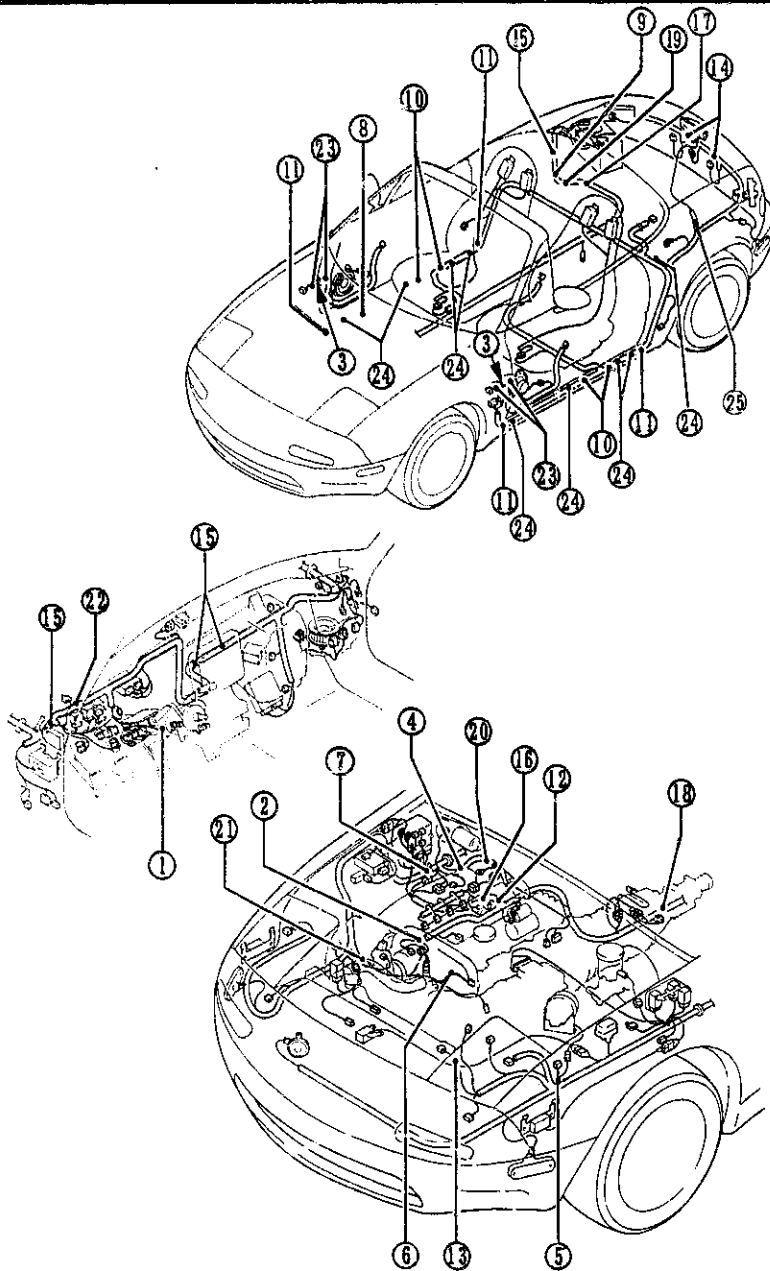
PAGE. 2

SECTION NAME INDEX (BODY)

LO.NO	SEC.NO	SECTION NAME	LO.NO	SEC.NO	SECTION NAME	LO.NO	SEC.NO	SECTION NAME
2-C05	0900	KEY SETS	2-D13	6110	HEATER UNIT COMPONENTS	3-M04	7250	QUARTER WINDOW & TRIMS
2-F05	5000	FRONT BUMPER	2-E13	6115	HEATER CONTROLS COMPONENTS			
2-I05	5010	REAR BUMPER	2-G13	6120	HEATER BLOWER COMPONENTS			
2-K05	5030	WINDOW MOULDING & COWL GRILLES	2-H13	6130	AIR CONDITIONER			
2-L05	5100	HEAD LAMPS	2-L13	6135	O RING SET, PIPING			
2-M05	5103	HEAD LAMP RETRACTORS	2-M13	6140	COMPRESSOR COMPONENTS (AIR CON DITIONER)			
2-D06	5105	FRONT COMBINATION LAMPS	2-C14	6150	COOLING UNIT (AIR CONDITIONER)			
2-F06	5110	REAR COMBINATION LAMPS	2-D14	6300	WINDOW GLASSES			
2-I06	5120	LICENSE LAMPS	2-E14	6330	SUNROOF			
2-J06	5170	ORNAMENTS	2-E15	6600	SWITCHES & RELAYS (ENGINE)			
2-K06	5180	REAR FINISHER	2-I15	6610	DASHBOARD SWITCHES			
2-M06	5230	BONNET	2-J15	6611	COMBINATION SWITCH			
2-C07	5260	TRUNK LID	2-K15	6630	RELAYS & UNIT (BODY)			
2-E07	5310	FRONT PANELS	2-M15	6635	DOOR SWITCH & HORNS			
2-F07	5320	FENDER & WHEEL APRON PANELS	2-N15	6640	AUTO CRUISE CONTROL SYSTEM			
2-I07	5330	DASH & COWL PANELS	2-C16	6680	AUDIO SYSTEMS (RADIO & TAPE DE CK)			
2-J07	5340	SIDE PANELS	2-E16	6682	AUDIO SYSTEMS (ANTENNA & SPEAK ER)			
2-C08	5370	FLOOR PANELS	2-G16	6700	WIRING HARNESSSES(FRONT & REAR)			
2-F08	5380	FLOOR ATTACHMENTS (HOLE COVERS)	2-J16	6701	WIRING HARNESSSES(ENGINE & T/MI SSION)			
2-G08	5390	FLOOR ATTACHMENTS	2-L16	6702	WIRING HARNESSSES(DASHBOARD)			
2-C09	5500	DASHBOARD EQUIPMENTS	2-M16	6703	WIRING HARNESSSES(DOOR, FLOOR/CE ILING)			
2-E09	5520	METER HOOD	3-C03	6704	WIRING HARNESS CLAMPS			
2-F09	5530	SPEEDOMETER CABLE	3-F03	6720	WINDSHIELD WASHER			
2-G09	5540	METER COMPONENTS	3-K03	6730	WINDSHIELD WIPERS			
2-J09	5560	DASHBOARD & RELATED PARTS	3-M03	6740	WIPER MOTOR COMPONENTS(FRONT)			
2-M09	5570	CONSOLE	3-N03	6820	FRONT HEADER TRIM & PILLAR TRI MS			
2-E10	5580	VENTILATOR	3-C04	6840	TRIMS & SCUFF PLATES			
2-G10	5700	SEATS	3-E04	6860	FLOOR MATS & PADS			
2-E11	5790	SEAT BELTS	3-H04	6870	SERVICE TOOLS			
2-F11	5795	AIR BAG	3-I04	6900	VISORS, ASSIST HANDLES & MIRROR S			
2-G11	5800	FRONT DOORS	3-K04	6930	CAUTION PLATES & LABELS			
2-J11	5830	FRONT DOOR MECHANISMS						
2-N11	5840	FRONT DOOR TRIMS & RELATED PAR TS						
2-C13	6100	HEATER						

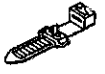






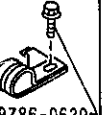
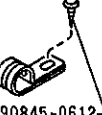





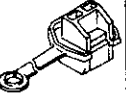


① 14-726 	② 18-996A 	③ 45-961B 	④ 67-CS1 99786-0612	⑤ 67-CT2 	⑥ 67-011C
⑦ 67-013A 	⑧ 67-013D 	⑨ 67-014F 99786-0620	⑩ 67-022 	⑪ 67-026 	⑫ 67-048A 99786-0612
⑬ 67-051E 	⑭ 67-051J 	⑮ 67-052H 	⑯ 67-062B 99786-0612	⑰ 67-072H 99786-0620	⑱ 67-073 90845-0612
⑲ 67-073A 	⑳ 67-073B 99940-0603	㉑ 67-074 99786-0612	㉒ 67-076 	㉓ 67-191 	㉔ 68-865
㉕ 67-KW1 					

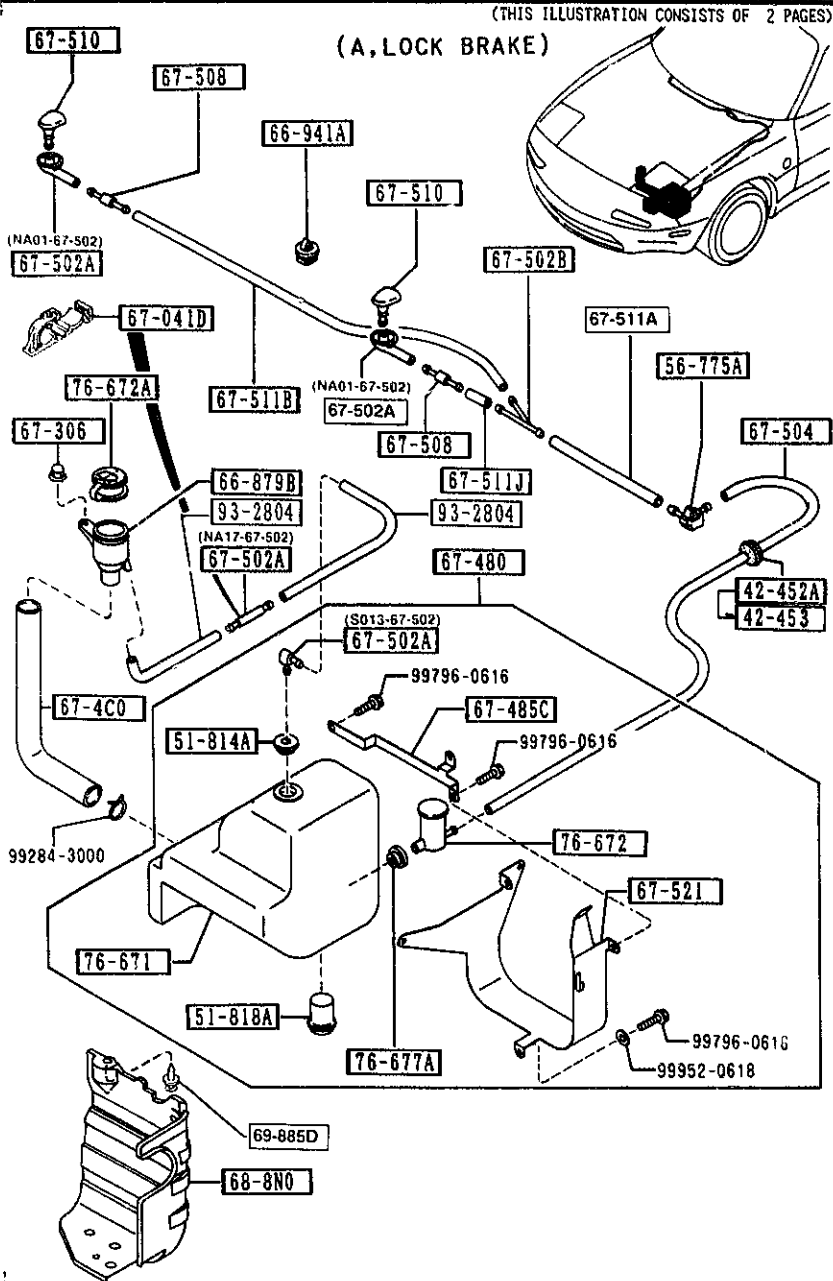


PART NO.	QTY	MODEL/RESTRICTION	MODEL/RESTRICTION	MODEL/RESTRICTION	FROM TO
14-726		BAND			
N304-14-726	1				
18-996A		CLIP			
BF67-67-996	1				
45-961B		CAP			
H002-45-961	2				
67-CS1		CLIP, HARNESS			
N001-67-CS1C	1				
67-CT2		CLIP, HARNESS			
NA01-67-CH5	1				
67-KW1		CAP, CONNECTOR-REAR HARNESS			1801-
N007-67-KW1	1				
67-011C		CLIP			
E356-18-141	1				
67-013A		CLIP			-0901
UB42-67-013	1				
67-013D		PROTECTOR, HARNESS			
NA01-67-P54	1				
67-014F		PROTECTOR, HARNESS			
NA01-67-P71	1				
67-022		CLIP, HARNESS			
NA01-67-CW5A	4				
67-026		CLIP, HARNESS			
NA02-67-CW5A	4				
67-048A		CLIP, HARNESS			
NA01-67-CS1	1				
67-051E		CLIP			
UB42-67-051	1				
0901 NA35*-208969					
1801 NA35*-300014					

(THIS ILLUSTRATION CONSISTS OF 2 PAGES)

① 14-726 	② 18-996A 	③ 45-961B 	④ 67-CS1  99786-0612	⑤ 67-CT2 	⑥ 67-011C 
⑦ 67-013A 	⑧ 67-013D 	⑨ 67-014F  99786-0620	⑩ 67-022 	⑪ 67-026 	⑫ 67-048A  99786-0612
⑬ 67-051E 	⑭ 67-051J 	⑮ 67-052H 	⑯ 67-062B  99786-0612	⑰ 67-072H  99786-0620	⑱ 67-073  90845-0612
⑲ 67-073A 	⑳ 67-073B  99940-0603	㉑ 67-074  99786-0612	㉒ 67-076 	㉓ 67-191 	㉔ 68-865 
㉕ 67-KW1 					

PART NO.	QTY	MODEL/RESTRICTION	MODEL/RESTRICTION	MODEL/RESTRICTION	FROM TO
67-051J		CLIP			
G031-67-053A	2				
67-052H		CLIP			
G030-67-018A	3				-0901
G030-67-018A	4				0901-
67-062B		CLIP, HARNESS			
NA02-67-CS1A	1				
67-072H		CLIP, ENGINE HARNESS			
NA01-67-CS6	1				
67-073		CLIP			
UB73-67-073A	1				
67-073A		CLIP			
NA01-67-CH7	1				-1801
67-073B		CLIP			
H261-67-073	1				
67-074		CLIP, HARNESS			
NA01-67-CS5	1				
67-076		CLIP, ENGINE HARNESS			
NA01-67-CH8	1				
67-191		GROMMET			
B300-67-HD1	4				
68-865		FASTENER			
B003-68-865	8				
00	INT-	NA0 NA2 BLACK			
81	INT-	NA1 BEIGE			
0901 NA35**-208969					
1801 NA35**-300014					

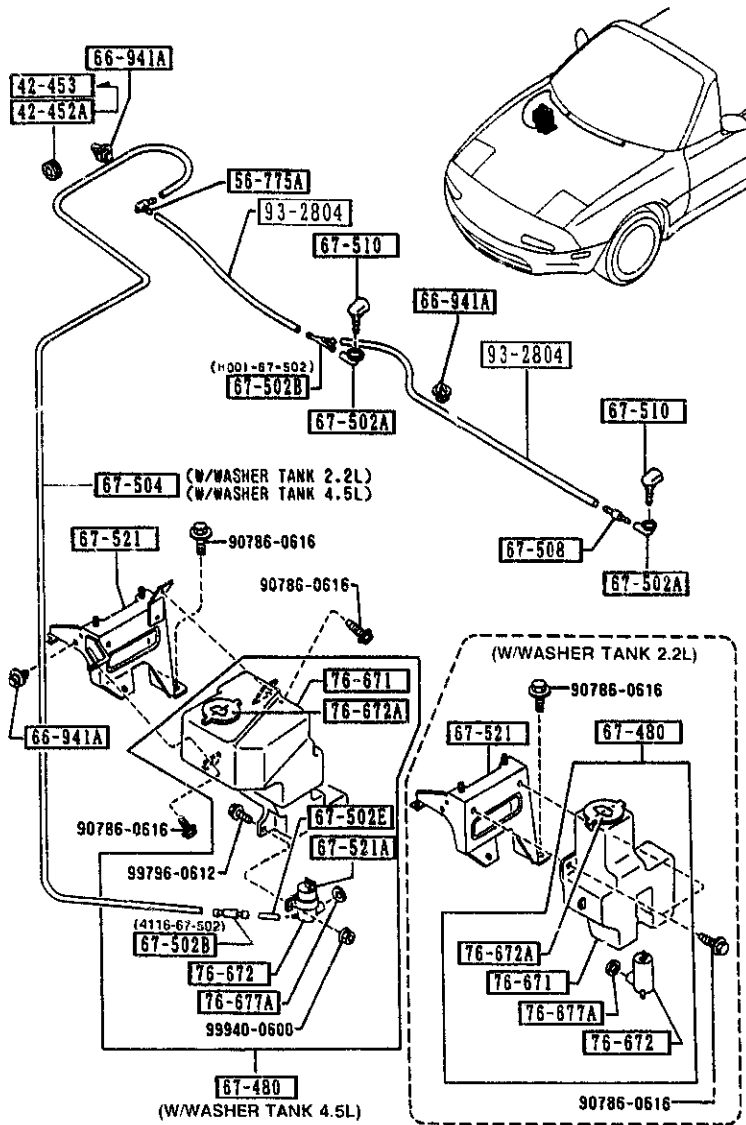


PART NO.	QTY	MODEL/RESTRICTION	MODEL/RESTRICTION	MODEL/RESTRICTION	FROM TO
42-452A		GROMMET			
0111-41-692	1				-0717
42-453		PROTECTOR, CABLE			
B048-42-453	1				0717-
51-814A		GROMMET, WASHER TANK			
B002-51-814	1	(A, LOCK BRAKE)			
51-818A		SWITCH, LEVEL-WASHER TANK			
NA17-67-488	1	(A, LOCK BRAKE)			
56-775A		CLIP, WASHER HOSE			
LA01-67-505A AN(LA01-67-505B)	1				-1730
LA01-67-505B	1				1730-
66-879B		JOINT			
NA17-67-4C2	1	(A, LOCK BRAKE)			
66-941A		CLIP			
GB08-66-941	3	(A, LOCK BRAKE)			
GB08-66-941	4	(W/O A, LOCK BRAKE)			
67-041D		CLIP, HARNESS			
B092-67-041	1	(A, LOCK BRAKE)			
67-306		NUT, WIPER LINK			
GJ21-67-306	1	(A, LOCK BRAKE)			
67-4C0		PIPE, FILLER-F, WASHER TANK			
NA17-67-4C1	1	(A, LOCK BRAKE)			
67-480		TANK, WASHER-FRONT			
NA17-67-4T0 A (NA17-67-4T0A)	1				-2427
NA01-67-480 A (NA01-67-480A)	1				-2427
NA04-67-480A A (NA04-67-480B)	1				-2427
NA17-67-4T0A	1	(A, LOCK BRAKE)			2427-

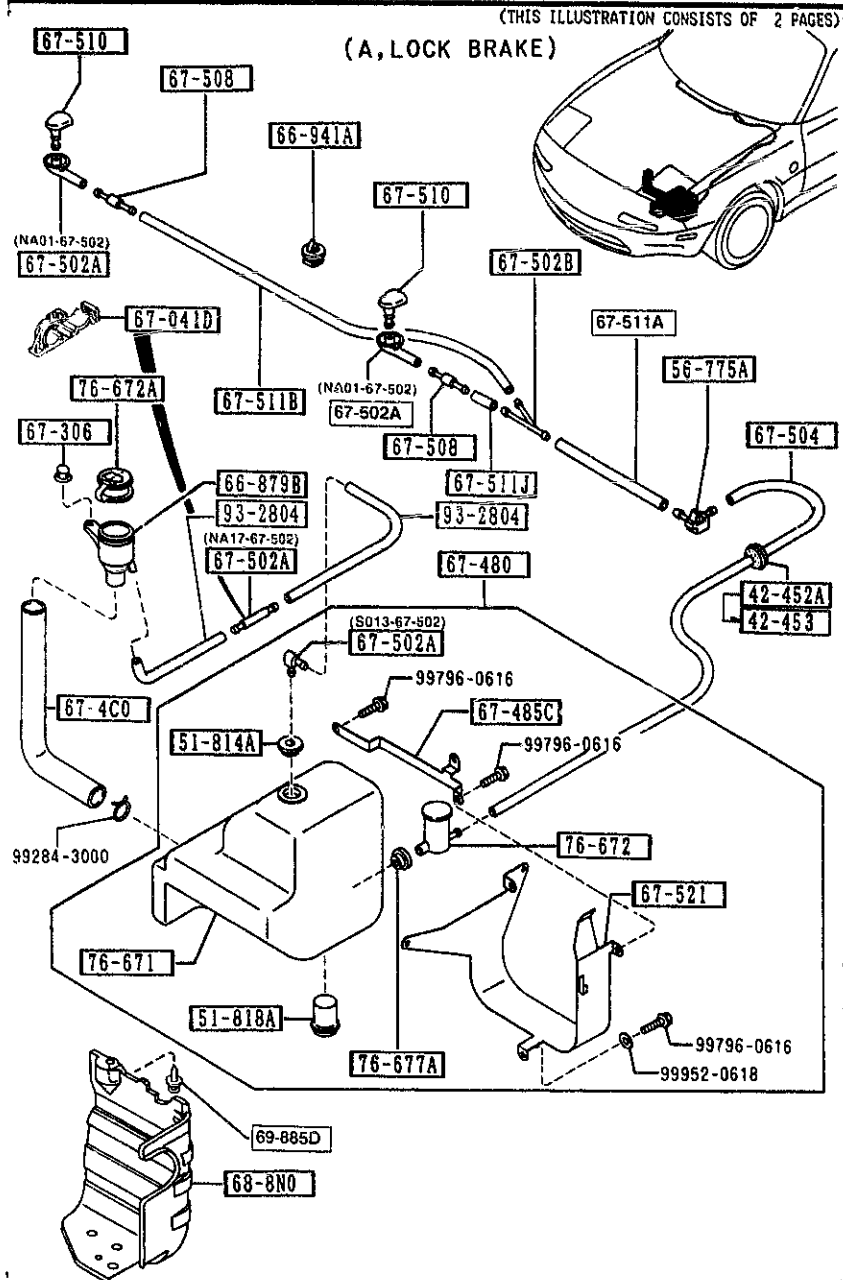
0717 NA35**202687
 1730 NA35**235561
 2427 NA35**326019

(THIS ILLUSTRATION CONSISTS OF 2 PAGES)

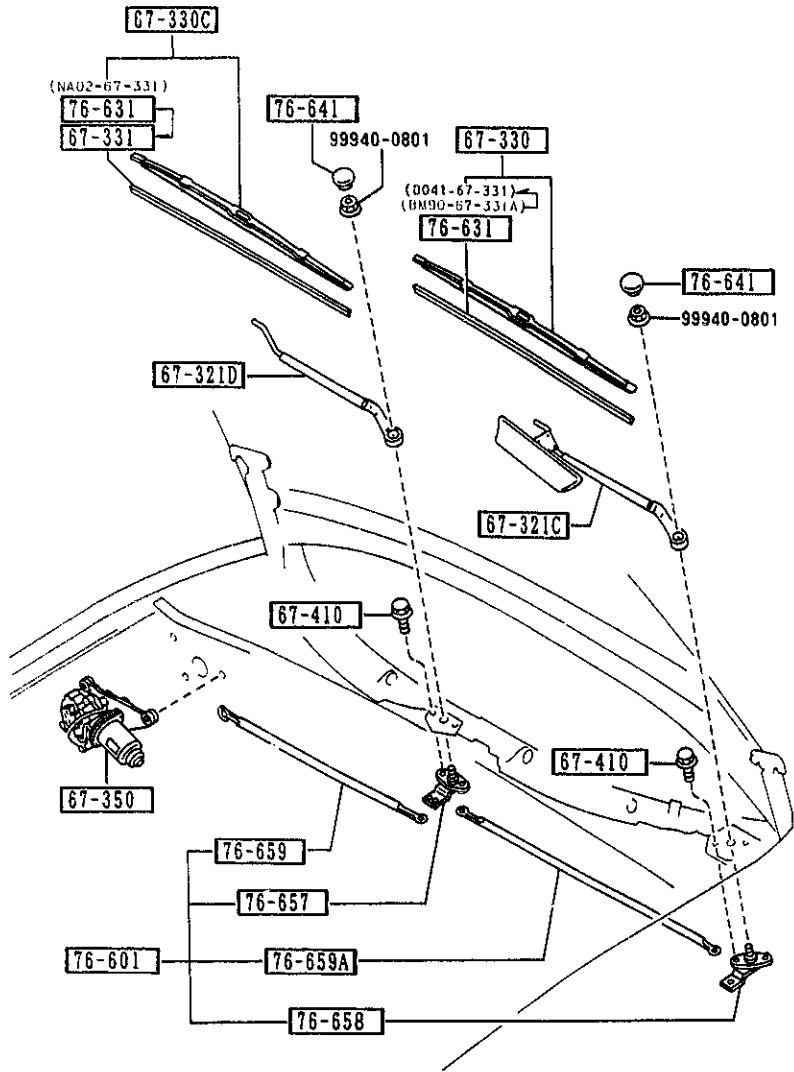
(W/O A, LOCK BRAKE)



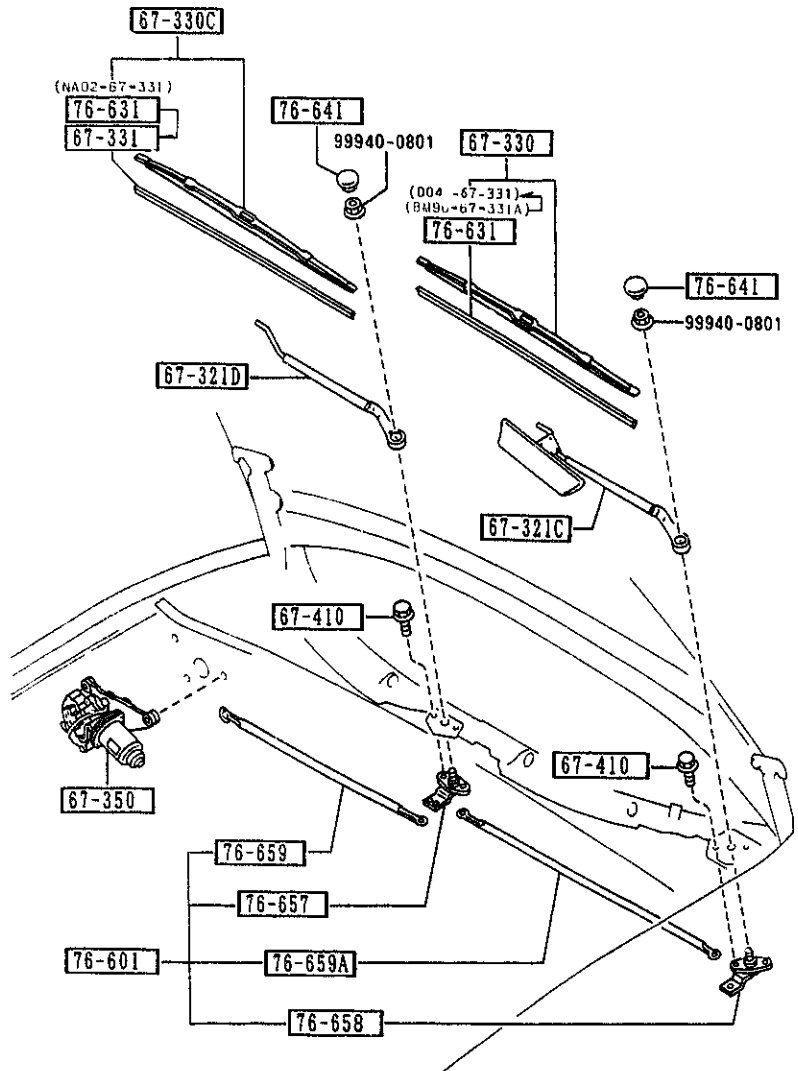
PART NO.	QTY	MODEL/RESTRICTION	MODEL/RESTRICTION	MODEL/RESTRICTION	FROM TO
CONT'D NA01-67-480A	1	BASE, (W/WASHER TANK 2.2L) (W/O A. LOCK BRAKE)			2427-
NA04-67-480B	1	PKG-OPT, (W/WASHER TANK 4.5L) (W/O A. LOCK BRAKE)			2427-
67-485C		BRKT'A', WASHER TANK-FRT			
NA18-67-521	1	(A. LOCK BRAKE)			
67-502A		JOINT, HOSE			
NA01-67-502	2				
NA17-67-502	1	(A. LOCK BRAKE)			
S013-67-502	1	(A. LOCK BRAKE)			
67-502B		JOINT, HOSE			
H001-67-502	1				
4116-67-502	1	PKG-OPT, (W/WASHER TANK 4.5L) (W/O A. LOCK BRAKE)			
67-502E		JOINT, ELBOW-W. TANK			
S084-67-502	1	PKG-OPT, (W/WASHER TANK 4.5L) (W/O A. LOCK BRAKE)			
67-504		HOSE 'C', WASHER			
NA01-67-501A	1	(W/O A. LOCK BRAKE)			
NA17-67-501	1	(A. LOCK BRAKE)			
67-508		VALVE, CHECK			
FA54-67-508	1	(W/O A. LOCK BRAKE)			
FA54-67-508	2	(A. LOCK BRAKE)			
67-510		NOZZLE, WASHER-F. WIND			
NA01-67-510	2				
67-511A		PIPE, SCREEN WASHER			
NA18-67-501	1	(A. LOCK BRAKE)			
2427 NA35**-326019					



PART NO.	QTY	MODEL/RESTRICTION	MODEL/RESTRICTION	MODEL/RESTRICTION	FROM-TO
67-511B		PIPE, SCREEN WASHER			
NA19-67-501	1	(A. LOCK BRAKE)			
67-511J		PIPE, SCREEN WASHER			
NA15-67-501	1	(A. LOCK BRAKE)			
67-521		BRACKET, WASHER TANK			
NA01-67-520	1	BASE, (W/WASHER TANK 2.2L) (W/O A. LOCK BRAKE)			
NA04-67-520	1	PKG-OPT, (W/WASHER TANK 4.5L) (W/O A. LOCK BRAKE)			
NA17-67-521	1	(A. LOCK BRAKE)			
67-521A		BRACKET			
S095-67-521	1	PKG-OPT, (W/WASHER TANK 4.5L) (W/O A. LOCK BRAKE)			
68-8N0		COVER, WASHER TANK			
NA20-56-181A	1	(A. LOCK BRAKE)			
69-885D		FASTENER			
NA01-56-145	3	(A. LOCK BRAKE)			
76-671		TANK, WASHER			
NA17-67-4T1	1	(A. LOCK BRAKE)			
NA01-67-481	1	BASE, (W/WASHER TANK 2.2L) (W/O A. LOCK BRAKE)			
NA04-67-481	1	PKG-OPT, (W/WASHER TANK 4.5L) (W/O A. LOCK BRAKE)			
76-672		PUMP, WASHER			
LA01-67-482	1	(A. LOCK BRAKE)			
S084-76-672	1	(W/O A. LOCK BRAKE)			
76-672A		CAP, TANK			
UB39-51-815	1	(W/O A. LOCK BRAKE)			



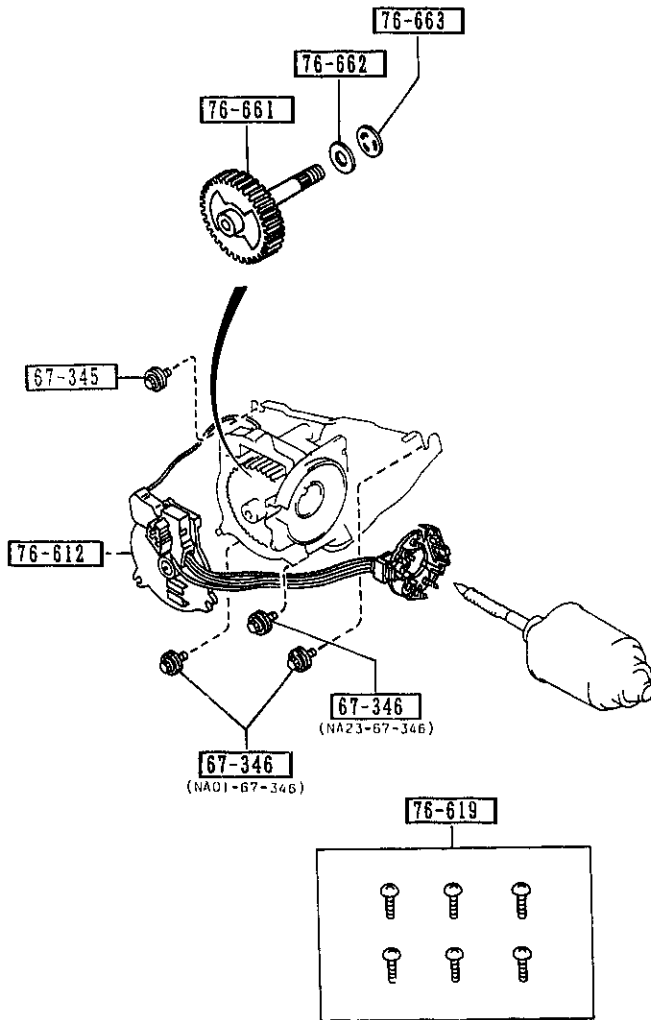
PART NO.	QTY	MODEL/RESTRICTION	MODEL/RESTRICTION	MODEL/RESTRICTION	FROM-TO
67-321C		ARM,WIPER-DRIVER SIDE			
NA01-67-321	1				
67-321D		ARM,WIPER-CO DRIVER SIDE			
NA02-67-321	1				
67-330		BLADE,WIPER-FRONT			
BM90-67-330A AN(BM90-67-330B)	1				-2512
*BM90-67-330B	1				2512-
67-330C		BLADE(R),WIPER-FRONT			
NA02-67-330 AN(NA02-67-330A)	1				-2512
*NA02-67-330A	1				2512-
67-331		RUBBER, BLADE-FRONT			
*N002-67-331	1				2512-
67-350		MOTOR,WIPER			
NA01-67-340B	1	(EXC.COLD SPEC.)			
NA04-67-340A	1	(COLD SPEC.)			
67-410		BOLT			
B455-67-369	4				
76-601		LINK,WIPER			
NA01-67-360A	1				
76-631		RUBBER, BLADE-FRONT			
BM90-67-331A AN(D041-67-331)	1				-2512
NA02-67-331 AN(N002-67-331)	1				-2512
*D041-67-331	1				2512-
76-641		COVER,WIPER ARM-FRONT			
LA01-67-395A	2				
76-657		SHAFT,DRIVE NO.1			
NA01-67-363	1				
2512 NA35**327166					



PART NO.	QTY	MODEL/RESTRICTION	MODEL/RESTRICTION	MODEL/RESTRICTION	FROM TO
76-658		SHAFT,DRIVE NO.2			
NA01-67-364	1				
76-659		ARM NO.1,LINK			
NA01-67-361	1				
76-659A		ARM NO.2,LINK			
NA01-67-362	1				

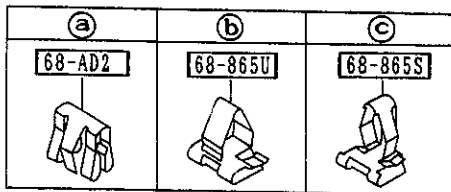
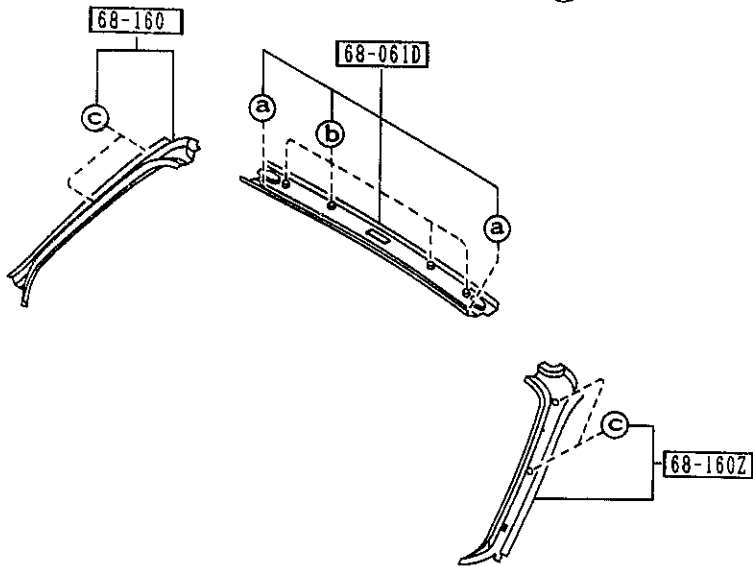
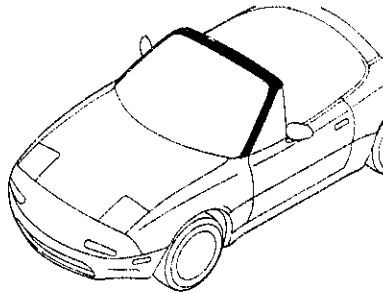
6740 WIPER MOTOR COMPONENTS(FRONT)

COMPONENTS OF NA01-67-340B
NA04-67-340A

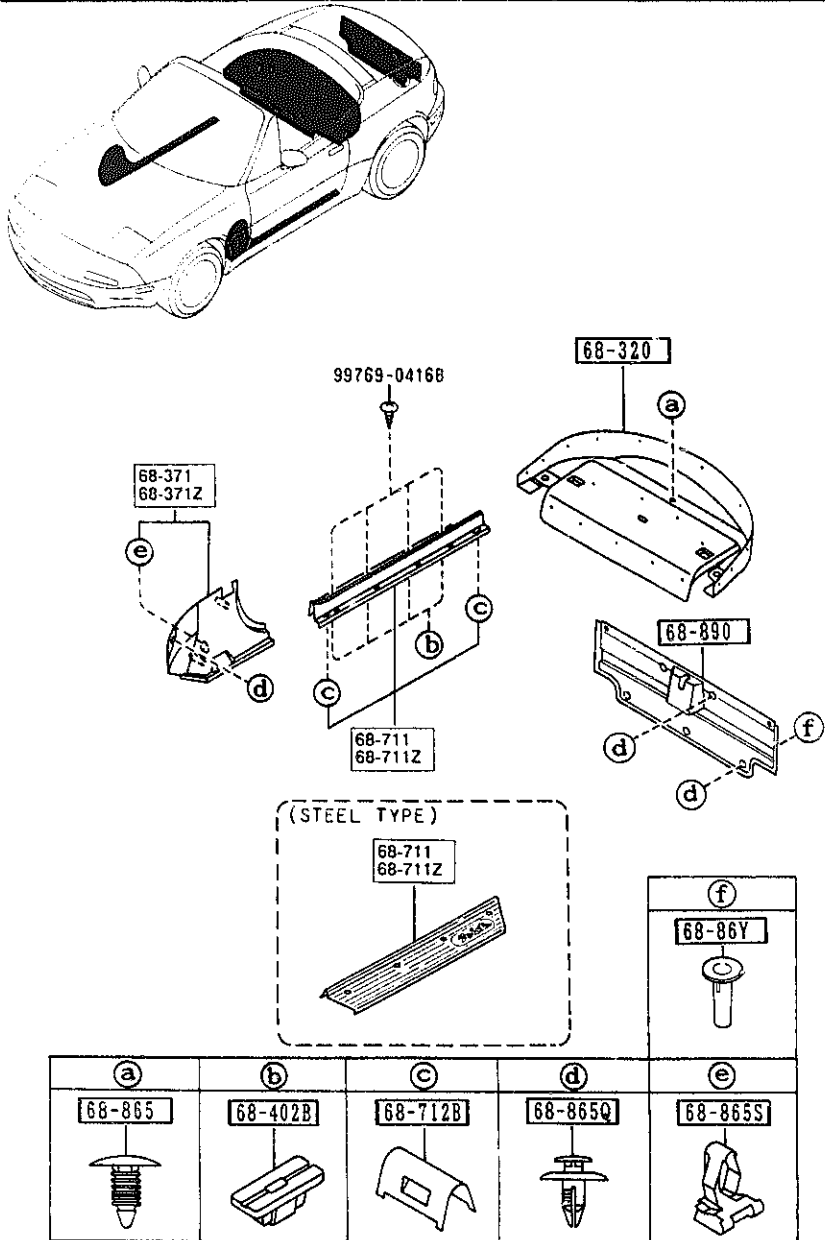


6740 -1 * WIPER MOTOR COMPONENTS(FRONT)

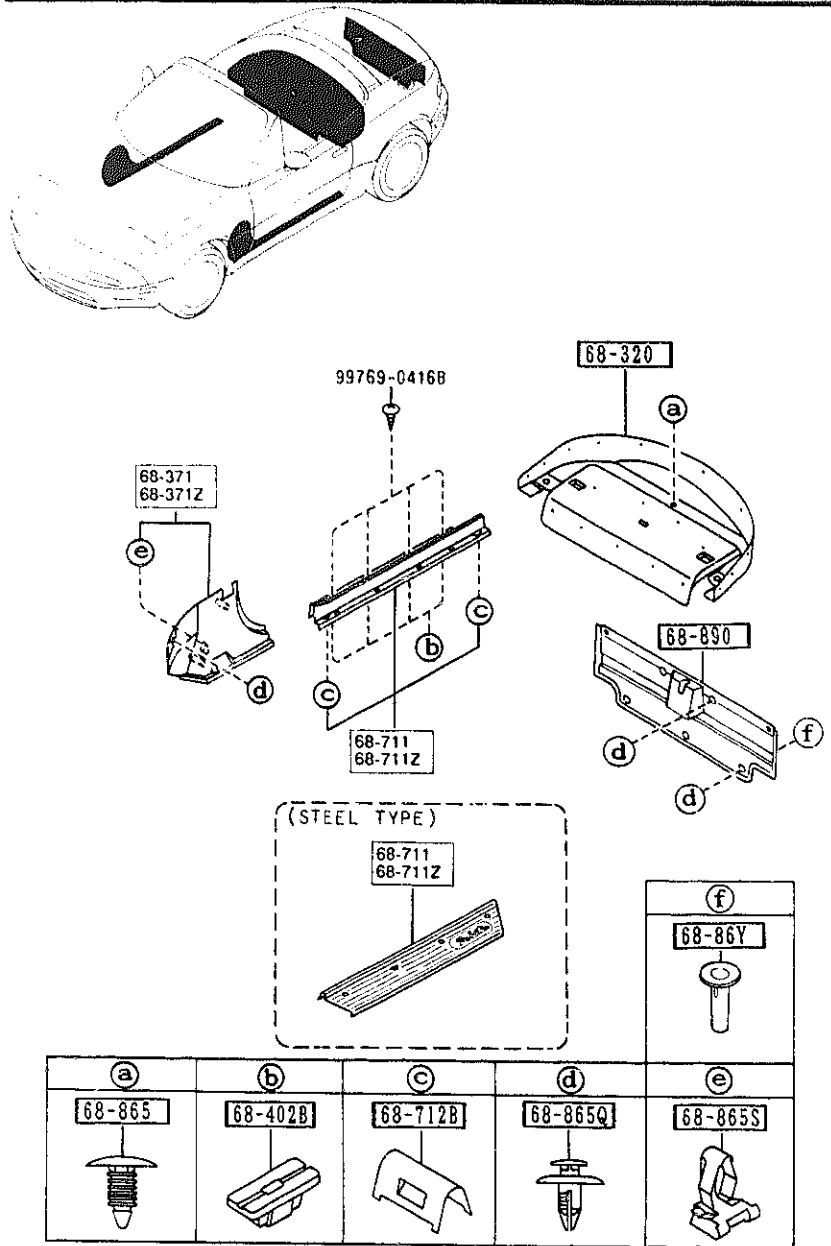
PART NO.	QTY	MODEL/RESTRICTION	MODEL/RESTRICTION	MODEL/RESTRICTION	FROM-10
67-345	1	SCREW, EARTH SET-MOTO R BRK			
NA01-67-345	1				
67-346	2	SCREW, BRACKET-WIPER MOTOR			
NA01-67-346	2				
NA23-67-346	1				
76-612	1	PLATE, HOLDER-BRUSH			
NA23-67-351	1	(EXC. COLD SPEC.)			
NA26-67-351	1	(COLD SPEC.)			
76-619	1	PARTS SET			
H043-76-619A	1				
76-661	1	GEAR, SHAFT			
NA23-67-354	1				
76-662	1	WASHER			
B094-76-662	1				
76-663	1	WASHER, TOOTHED			
B094-76-663	1				



PART NO.	QTY	MODEL/RESTRICTION	MODEL/RESTRICTION	MODEL/RESTRICTION	FROM 10
68-AD2		CLIP			
B455-68-AD2	2				
68-061D		TRIM, FRONT HEADER			
NA01-68-090A	1				
00	INT-	NA0 NA1 BLACK			
68-160		TRIM(R), 'A' PILLAR			
NA01-68-160	1				
00	INT-	NA0 NA1 BLACK			
68-160Z		TRIM(L), 'A' PILLAR			
NA01-68-170	1				
00	INT-	NA0 NA1 BLACK			
68-865S		CLIP, TRIM			
GJ12-68-865	4				
68-865U		CLIP, TRIM			
GJ21-68-865	4				



PART NO.	QTY	MODEL/RESTRICTION	MODEL/RESTRICTION	MODEL/RESTRICTION	FROM-TO
68-320		TRAY, REAR PACKAGE			
NA01-68-3F1B	1				
00	INT-	NA0 BLACK			
88	INT-	NA1 TAN			
68-371		TRIM(R), FRONT SIDE			
NA01-68-370	1				
00	INT-	NA0 BLACK			
88	INT-	NA1 TAN			
68-371Z		TRIM(L), FRONT SIDE			
NA01-68-390	1				
00	INT-	NA0 BLACK			
88	INT-	NA1 TAN			
68-402B		GROMMET, SCREW			
FA54-68-719B	8				
68-711		PLATE(R), FRONT SCUFF			
NA01-68-710	1	BASE, (PLASTIC TYPE)			
00	INT-	NA0 NA1 BLACK			
NA02-68-710	1	V-SPECIAL, (STEEL TYPE)			
68-711Z		PLATE(L), FRONT SCUFF			
NA01-68-720	1	BASE, (PLASTIC TYPE)			
00	INT-	NA0 NA1 BLACK			
NA02-68-720	1	V-SPECIAL, (STEEL TYPE)			
68-712B		CLIP			
B235-68-712	4	BASE, (PLASTIC TYPE)			
68-86Y		CAP, SEAL-TRUNK END T RIM			
KA01-68-86Y	3				-1301
A (KA01-68-86YA)					
KA01-68-86YA	3				1301-
1301 NA35**231464					

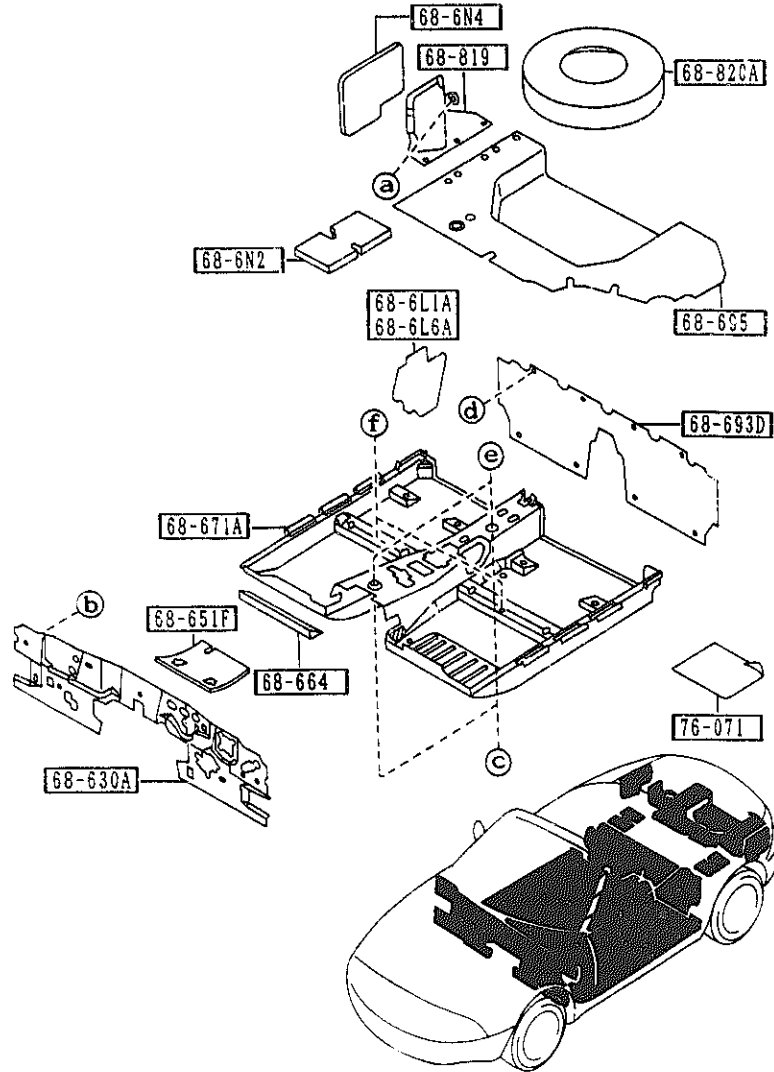


PART NO.	QTY	MODEL/RESTRICTION	MODEL/RESTRICTION	MODEL/RESTRICTION	FROM TO
68-865		FASTENER			
G032-68-865A	20				
00	INT-	NA0 NA1 BLACK			
68-865Q		FASTENER			
GJ21-68-885B	9				
00	INT-	NA0 NA1 NA2 BLACK			
88	INT-	NA1 TAN			
68-865S		CLIP, TRIM			
GJ12-68-865	2				
68-890		TRIM, TRUNK END			
NAD1-68-891	1				
00	INT-	NA0 NA1 NA2 BLACK			

6860 FLOOR MATS & PADS

6860 -1 FLOOR MATS & PADS

a	b	c	d	e	f
68-615B	68-615B	68-866C	68-865	68-865D	68-865
(NA01-68-615)	(B100-68-615)		(G032-68-065A)		(8003-68-065)



PART NO.	QTY	MODEL/RESTRICTION	MODEL/RESTRICTION	MODEL/RESTRICTION	FROM TO
68-6L1A		COVER(R),HOLE			
NA01-68-6L1	1				
68-6L6A		COVER(L),HOLE			
NA01-68-6L6	1				
68-6N2		INSULATOR,RR FLOOR			
NA01-68-6N2	2				
68-6N4		PAD,RR FENDER			
NA01-68-6N4	1				
68-615B		NUT,FLANGE-CAP			
B100-68-615	5				
NA01-68-615	1				
68-630A		INSULATOR,DASHBOARD			
NA01-68-631B A (NA01-68-631C)	1				-0809
NA01-68-631C	1				0809-
68-651F		PAD,FRONT FLOOR			
FB01-68-652	1				
68-664		CUSHION,UNIT COVER			
NA01-68-664A	1				
68-671A		MAT,FLOOR			
NA20-68-67X	1				-0901
00	INT-	NA0 BLACK			
NA13-68-67XC A (NA13-68-67XD)	1				-1801
00	INT-	NA0 BLACK			
88	INT-	NA1 TAN			
NA01-68-67XD A (NA01-68-67XE)	1				0901-1801
00	INT-	NA0 BLACK			
NA01-68-67XE	1	(BLACK-USA)			1801-
00	INT-	NA0 BLACK			
NA13-68-67XD	1	(TAN-JAPAN)			1801-
0809 NA35**-206196					
0901 NA35**-208969					
1801 NA35**-300014					

AI:NA02

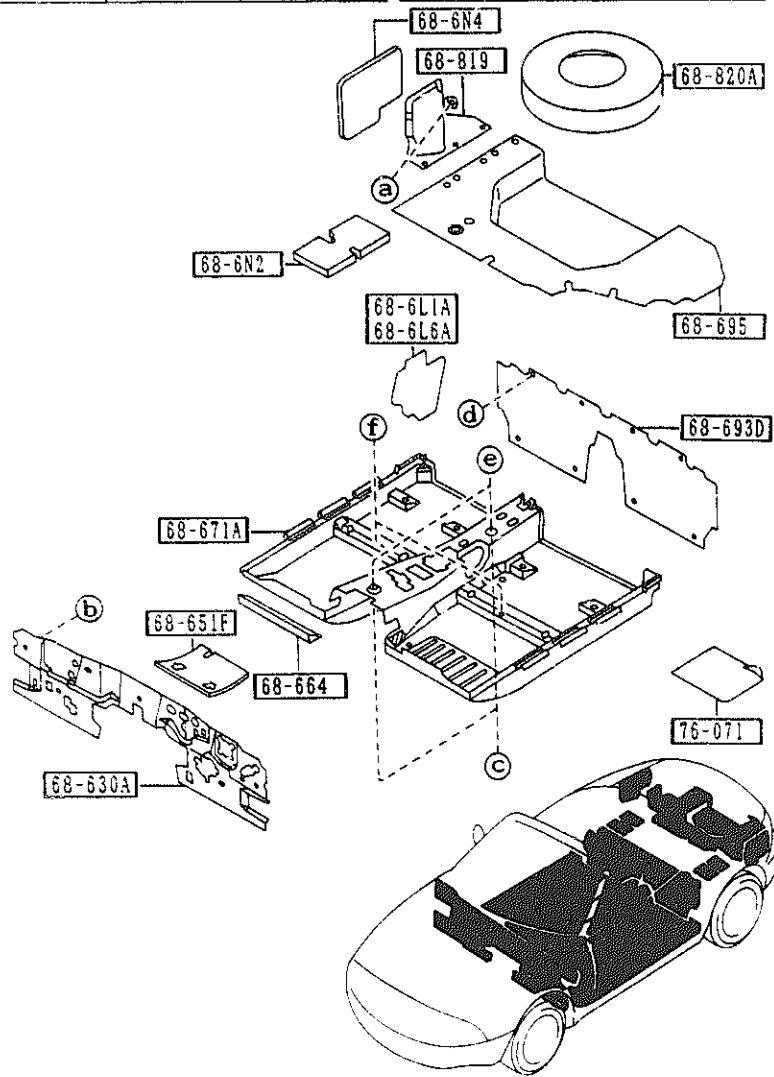
CAT. AUNA02-07

1993-12

3-E 4

6860 FLOOR MATS & PADS

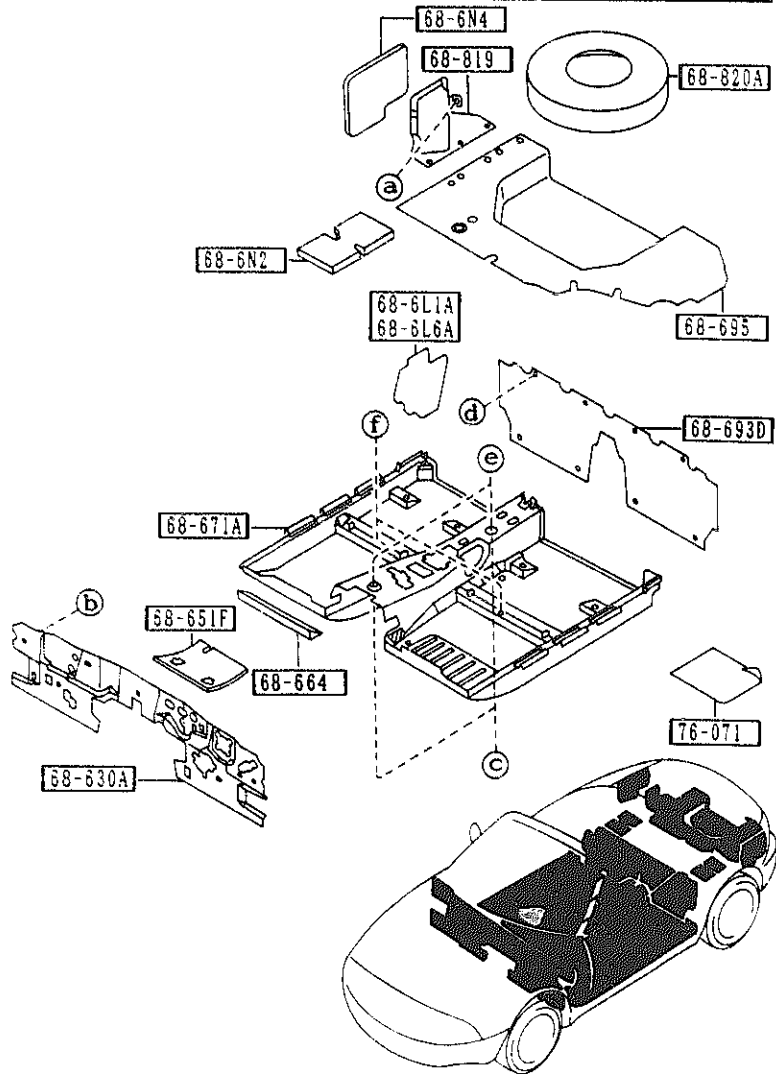
a	b	c	d	e	f
68-615B	68-615B	68-866C	68-865	68-865D	68-865
(8003-68-865)	(8003-68-865)	(8003-68-865)	(4032-68-865A)	(8003-68-865)	(8003-68-865)



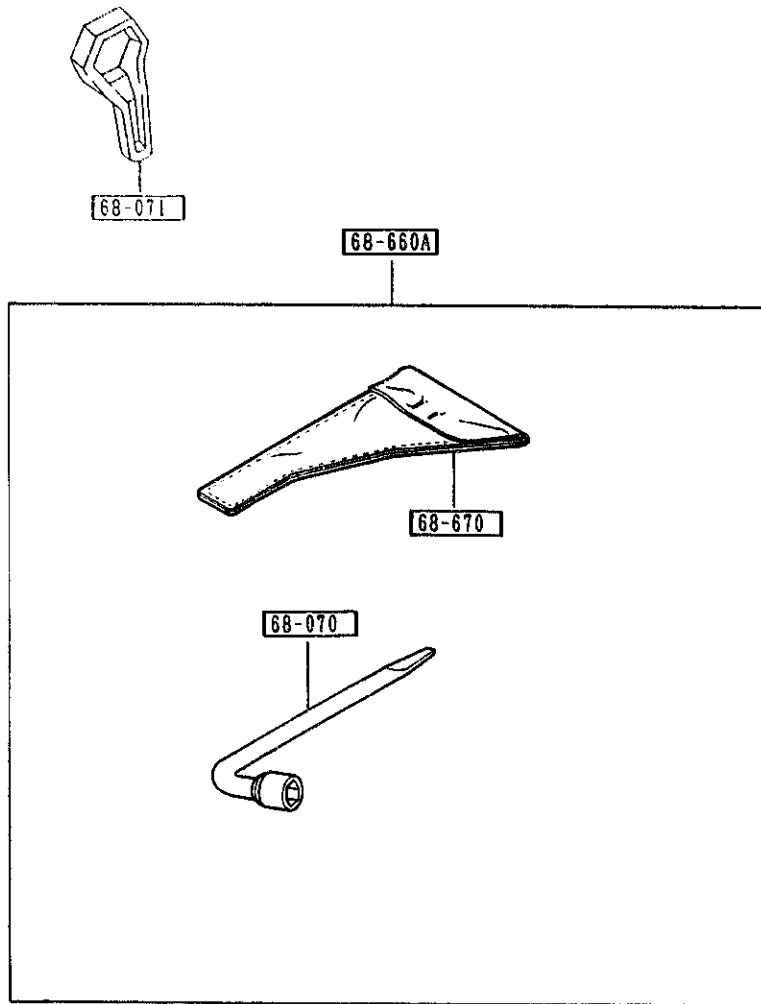
PART NO.	QTY	MODEL/RESTRICTION	MODEL/RESTRICTION	MODEL/RESTRICTION	FROM IC
CONT'D					
00	INT-	NA0 BLACK			
88	INT-	NA1 TAN			
		+-----+ 68-693D +-----+		MAT, REAR END	
NA01-68-693	1	(BLACK-USA)			
00	INT-	NA0 BLACK			
N001-68-693	1	(TAN-JAPAN)			
00	INT-	NA0 BLACK			
88	INT-	NA1 TAN			
		+-----+ 68-695 +-----+		MAT, TRUNK ROOM	
NA01-68-811	1				
00	INT-	NA0 NA1 NA2 BLACK			
		+-----+ 68-819 +-----+		COVER, BATTERY	
NA01-68-819B	1				
00	INT-	NA0 NA1 NA2 BLACK			
		+-----+ 68-820A +-----+		COVER, SPARE TIRE	
NA01-68-8P9A	1				
		+-----+ 68-865 +-----+		FASTENER	
BV03-68-865	2				
00	INT-	NA0 BLACK			
81	INT-	NA1 BEIGE			
G032-68-865A	4				
00	INT-	NA0 BLACK			
88	INT-	NA1 TAN			
		+-----+ 68-865D +-----+		FASTENER	
S083-68-865A	6				
00	INT-	NA0 BLACK			
88	INT-	NA1 TAN			
		+-----+ 68-866C +-----+		FASTENER, SEAL	
B235-68-865A	6				

6860 FLOOR MATS & PADS

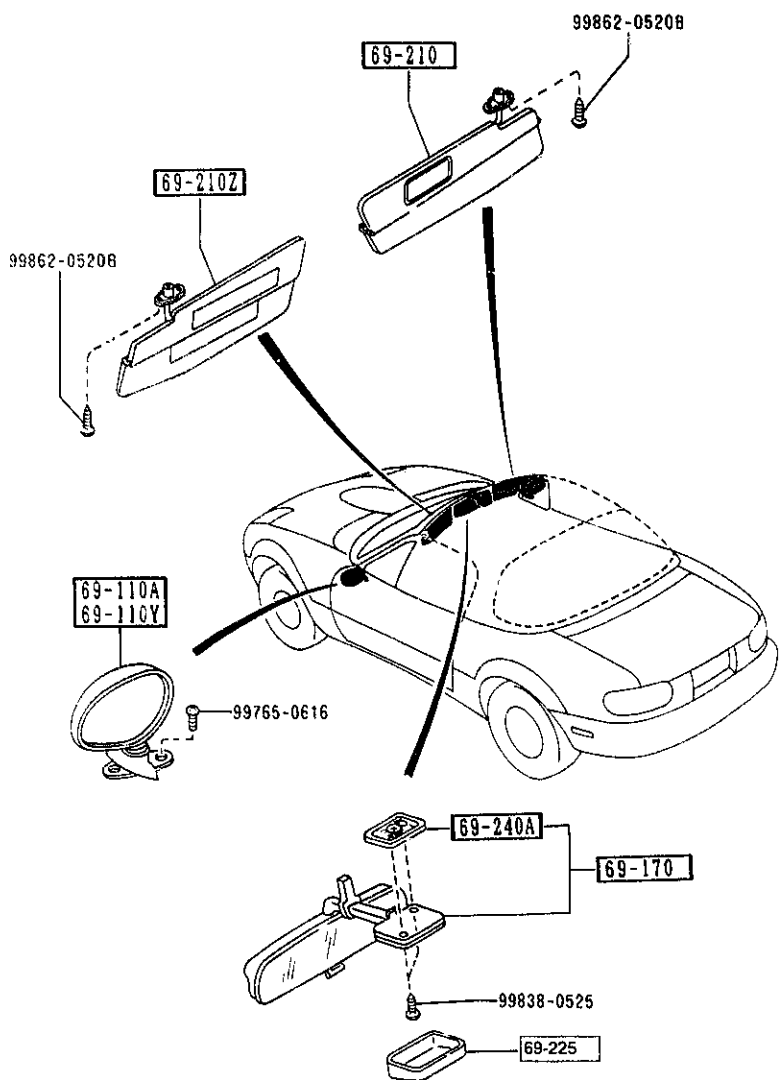
(a)	(b)	(c)	(d)	(e)	(f)
68-615B	68-615B	68-866C	68-865	68-865D	68-865
(A032-68-865A)	(A130-68-865)		(A032-68-865A)		(B003-68-865)



PART NO.	QTY	MODEL RESTRICTION	MODEL RESTRICTION	MODEL RESTRICTION	FROM TO
76-071		SILENCER, FLOOR			
0208-76-071	1	30CMX30CM			

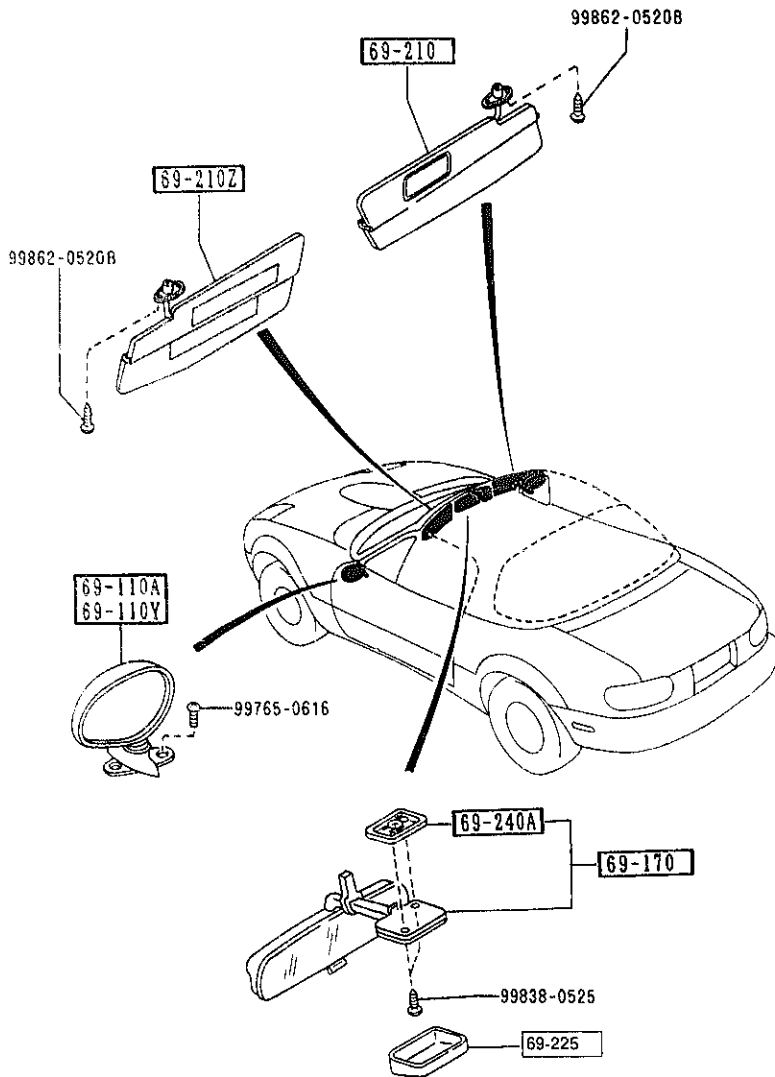


PART NO.	QTY	MODEL/RESTRICTION	MODEL/RESTRICTION	MODEL/RESTRICTION	FROM-TO
68-070 NA01-68-070	1	WRENCH,HUB NUT			
68-071 MF057-68-071	1	WRENCH,WHEEL CAP SP-AD, (BBS ALUMI.WHEEL)			1801-
68-660A NA01-69-650	1	TOOL SET			
68-670 NA01-69-670	1	BAG,TOOL			
1801 NA35**K-300014					

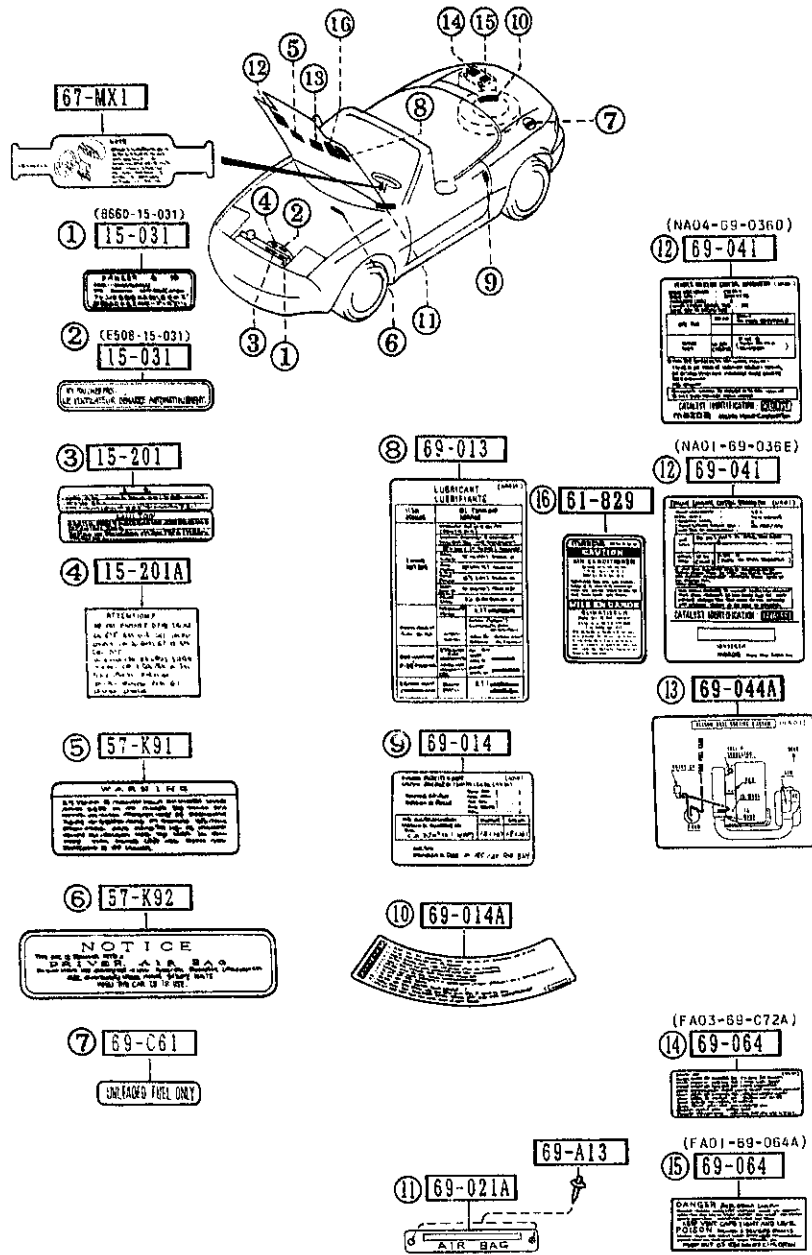


PART NO.	QTY	MODEL/RESTRICTION	MODEL/RESTRICTION	MODEL/RESTRICTION	FROM TO
69-110A		MIRROR(R), DOOR			
NA05-69-120	1				
DU	EXT-	DU MARINER BLUE			
HU	EXT-	HU NEO GREEN			
HZ	EXT-	HZ SUNBURST YELLOW			
PZ	EXT-	PZ BRILLIANT BLACK			
SU	EXT-	SU CLASSIC RED			
UC	EXT-	UC CRYSTAL WHITE			
3L	EXT-	3L SILVER STONE METALLIC			
69-110Y		MIRROR(L), DOOR			
NA05-69-180	1				
DU	EXT-	DU MARINER BLUE			
HU	EXT-	HU NEO GREEN			
HZ	EXT-	HZ SUNBURST YELLOW			
PZ	EXT-	PZ BRILLIANT BLACK			
SU	EXT-	SU CLASSIC RED			
UC	EXT-	UC CRYSTAL WHITE			
3L	EXT-	3L SILVER STONE METALLIC			
69-170		MIRROR, INTERIOR			
NA01-69-220	1				
00	INT-	NA0 NA1 NA2 BLACK			
69-210		SUN VISOR(R)			
NA01-69-270B	1				
02	INT-	NA0 NA1 NA2 BLACK			
69-210Z		SUN VISOR(L)			
NA01-69-320C	1				
02	INT-	NA0 NA1 NA2 BLACK			
69-225		COVER, INTERIOR MIRROR			
GJ21-69-225	1				
00	INT-	NA0 NA1 NA2 BLACK			

6900 VISORS,ASSIST HANDLES & MIRRORS

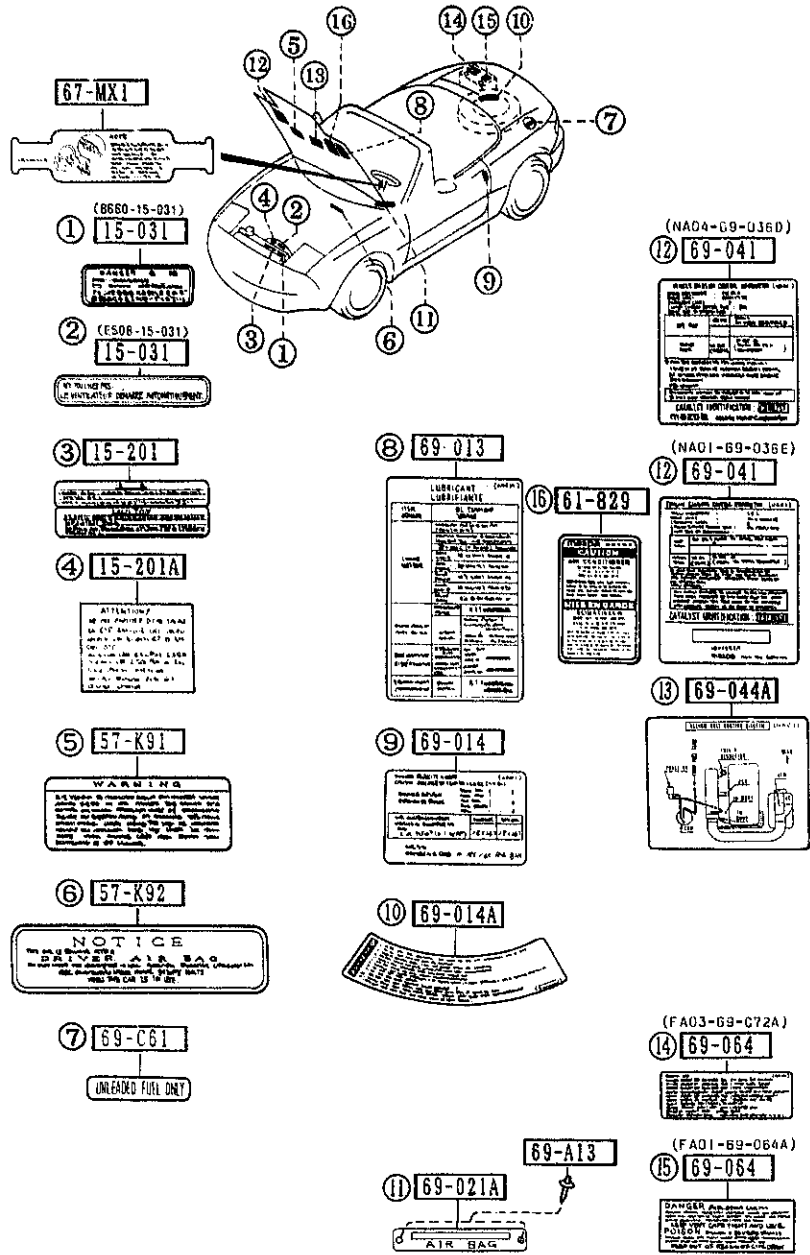


PART NO.	QTY	MODEL/RESTRICTION	MODEL/RESTRICTION	MODEL/RESTRICTION	FROM-TO
69-240A		BASE, INTERIOR MIRROR			
NA01-69-240	1				



PART NO.	QTY	MODEL/RESTRICTION	MODEL/RESTRICTION	MODEL/RESTRICTION	FROM-TO
15-031		LABEL, CAUTION			
B660-15-031	1				
E508-15-031	1				
15-201		PLATE, CAUTION			
0488-15-201	1				
15-201A		LABEL, CAUTION-RADIATOR			
8791-15-201	1				
57-K91		LABEL 'A', CAUTION-A/B			
NA01-57-K91	1				
57-K92		LABEL 'B', CAUTION-A/B			
NA01-57-K92	1				
61-829		LABEL, CAUTION			
NA01-61-829	1	(A)			
67-MX1		LABEL, CAUTION-AIR BAG			
NA01-67-MX1	1				
69-A13		RIVET, BAND-MODEL PLATE			
GJ21-69-A13	2				
69-C61		LABEL, UNLEADED FUEL			
UB40-69-C61	1				
69-013		LABEL, OIL			
NA01-69-D21C	1				
69-014		LABEL, TIRE			
NA01-69-014	1				
69-014A		LABEL, TEMPORARY TIRE			
BF68-69-073	1	ENGLISH			
BF69-69-073B	1	FRENCH			

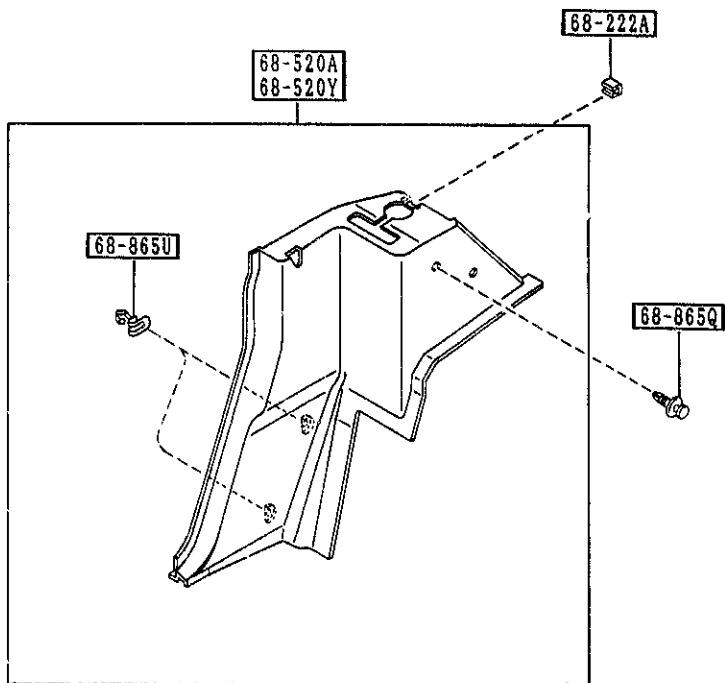
3-K 4



PART NO.	QTY	MODEL/RESTRICTION	MODEL/RESTRICTION	MODEL/RESTRICTION	FROM-TO
69-021A		PLATE, CAUTION			
NA01-69-068 A (NA01-69-068A)	1				-0B01
NA01-69-068A	1				0B01-
69-041		LABEL, EMISSION			
NA01-69-036D	1	(EM LABEL-CALIF.)			-1801
NA04-69-036C	1	(EM LABEL-FED)			-1801
NA01-69-036E	1	(EM LABEL-CALIF.)			1801-
NA04-69-036D	1	(EM LABEL-FED)			1801-
69-044A		LABEL, VAC. DIAPHRAGM			
NA01-69-044	1	(EM LABEL-CALIF.)			
69-064		LABEL, BATTERY			
FA03-69-C72A	1				
FA01-69-064A	1				
0B01 NA35**-217311					
1801 NA35**-300014					

7250 -1 * QUARTER WINDOW & TRIMS

7250 QUARTER WINDOW & TRIMS



PART NO.	QTY	MODEL/RESTRICTION	MODEL/RESTRICTION	MODEL/RESTRICTION	FROM-TO
68-222A		COVER, HOLE			
NA01-68-222A	2				
00	INT-	NA0 BLACK			
88	INT-	NA1 TAN			
68-520A		TRIM(R), QUARTER			
NA01-68-520A	1	BASE, (W/O DETACHABLE TOP)			
00	INT-	NA0 BLACK			
88	INT-	NA1 TAN			
NA02-68-520A	1	OPTION, (W/DETACHABLE TOP)			
00	INT-	NA0 BLACK			
88	INT-	NA1 TAN			
68-520Y		TRIM(L), QUARTER			
NA01-68-550A	1	BASE, (W/O DETACHABLE TOP)			
00	INT-	NA0 BLACK			
88	INT-	NA1 TAN			
NA02-68-550A	1	OPTION, (W/DETACHABLE TOP)			
00	INT-	NA0 BLACK			
88	INT-	NA1 TAN			
68-865Q		FASTENER			
GJ21-68-885B	2				
00	INT-	NA0 NA2 NA1 BLACK			
88	INT-	NA1 TAN			
68-865U		CLIP, TRIM			
GJ21-68-865	4				